



TRTS
without LCD display



TRTS xxxD
with LCD display



TRTS xxxSS
stainless steel enclosure

stainless steel enclosure,
vandalism secure version
for schools, military barracks
and public buildings

Features

- Active transmitters
0-10 Vdc or 4-20 mA output
- 8 different temperature ranges in same unit,
selectable via jumpers on pcb
-20°C to +150°C, -50°C to +50°C, -20°C to +80°C,
-30°C to +60°C, 0 to +40°C, 0 to +50°C, 0 to +100°C
and 0 to +150°C.
other temperature ranges on request
- IP 30
- ABS plastic enclosure or stainless steel enclosure

Application/Description

The room temperature transmitter TRTS have been designed for wall mounting and is used to sense temperature in heating, ventilating and air conditioning systems.

The housing have ventilated openings with connection terminal PCB and temperature sensing element inside the housing.

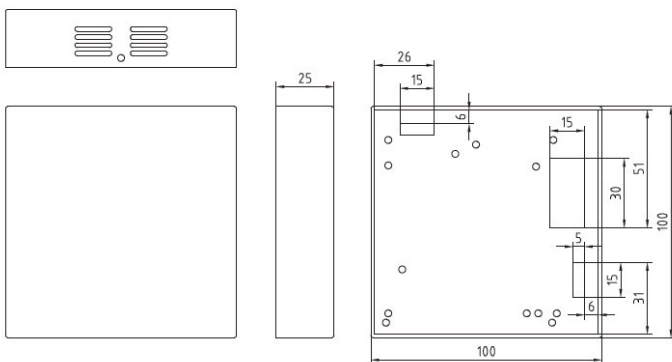
The unit can be mounted on surface or on a conduit box.

Ordering

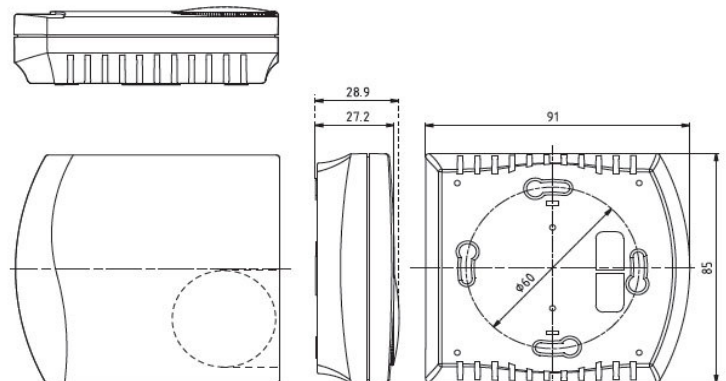
Room temperature transmitter

Type no.	Output	Housing	Display
TRTS PT	PT100	ABS plastic	No
TRTS 010	0-10 Vdc	ABS plastic	No
TRTS 010D	0-10 Vdc	ABS plastic	Yes
TRTS 010SS	0-10 Vdc	stainless steel	No
TRTS 420	4-20 mA	ABS plastic	No
TRTS 420D	4-20 mA	ABS plastic	Yes
TRTS 420SS	4-20 mA	stainless steel	No

Dimensions in mm for stainless steel housing

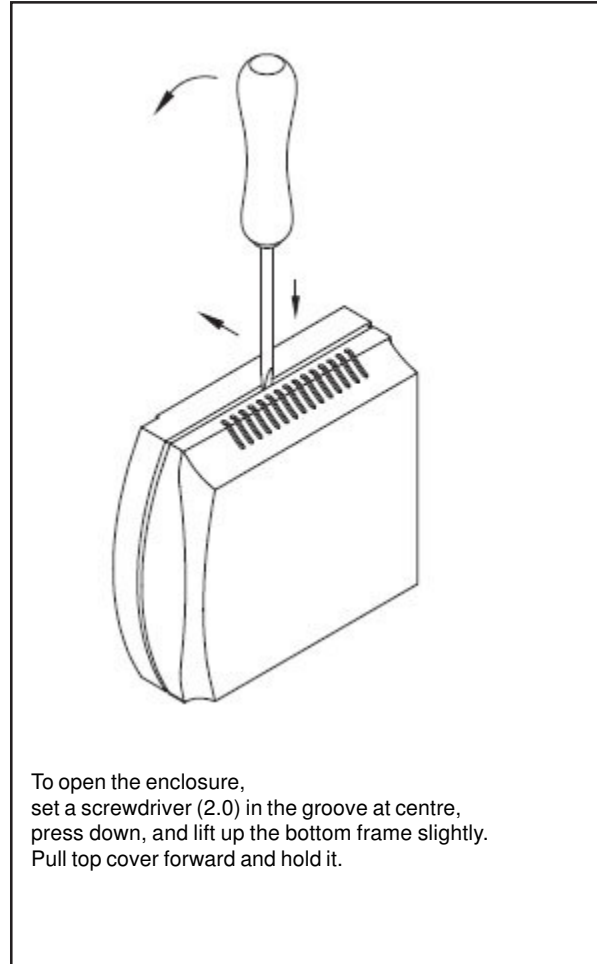


Dimensions in mm for ABS plastic enclosure



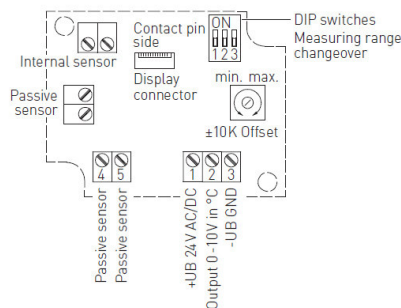
Technical data

- Measuring ranges** 8 different temperature ranges in same unit as standard selectable via jumpers on pcb. with manual zero point correction (+/-10K)
- Sensing element** PT1000, DIN EN 60751, class B
- Accuracy** 0.3 K (Kelvin)
- Connections** 3-wire for 0-10 Vdc
2-wire for 4-20 mA
- Power supply** 24 Vac/dc +/- 10% for output 0-10 Vdc
15-35 Vdc for output 4-20 mA
- Protection type** IP30 (according to EN 60529)
- Ambient temperature** -30°C to +70°C
- Humidity** < 95% r.H. non-precipitating air
- Protection class** III (according to EN 60730)
- Standards** CE conformity, electromagnetic compatibility according to EN 61326:2006 according to EMC directive 2004/108/EC
- Display** 8-digit display, cutout 36x14 mm (W x H), for displaying actual temperature (only for TRTS 010D and TRTS 420D)

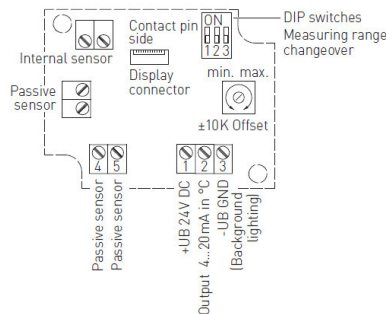


Electrical connections

TRTS 010

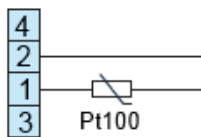


TRTS 420



8 different temperature ranges in same unit, selectable via jumpers on pcb

Measuring ranges (adjustable)	JP 1	JP 2	JP 3	JP 4
-20°C ... +150°C	●●	●●	●●	●●
-50°C ... +50°C	○ ○	●●	●●	●●
-20°C ... +80°C	●●	○ ○	●●	●●
-30°C ... +60°C	○ ○	○ ○	●●	●●
0°C ... +40°C	●●	●●	○ ○	●●
0°C ... +50°C	○ ○	●●	○ ○	●●
0°C ... +100°C	●●	○ ○	○ ○	●●
0°C ... +150°C	○ ○	○ ○	○ ○	●●



GUEMISA
Sta. Virgilia, 29 - 28033 Madrid - Tfno.: 91 764 21 00
Desde 1986 suministrando sensores e instrumentación
<http://www.guemisa.com> - ventas@guemisa.com

