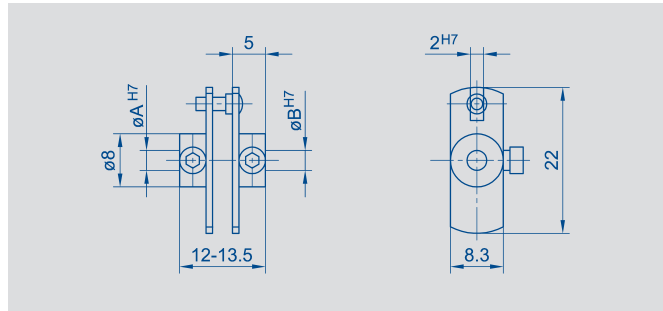
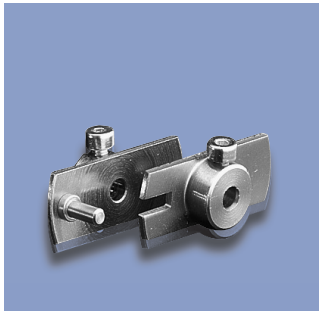


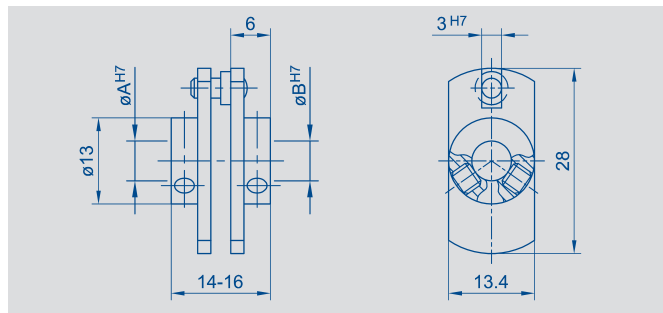
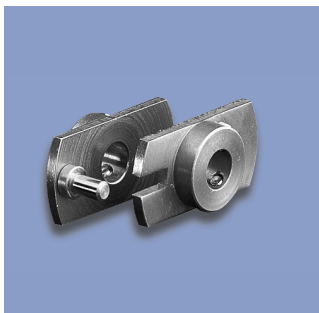
www.guemisa.com **SENSORES E INSTRUMENTACION GUEMISA S.L.**
 C\ La Fundición 4 Bis - Pl 1ª Oficina-2
 28522 Rivas Vaciamadrid (Madrid)
 Telf. 91 764 21 00 email: ventas@guemisa.com
 NIF: B-87969416



Z103 G 3

Fork coupling with low backlash for 3 mm shaft diameters. Stainless steel, ground driving pin. Mounting with 1 fillister head screw M2 each with hexagon socket. Allen key size 1.5 is supplied.

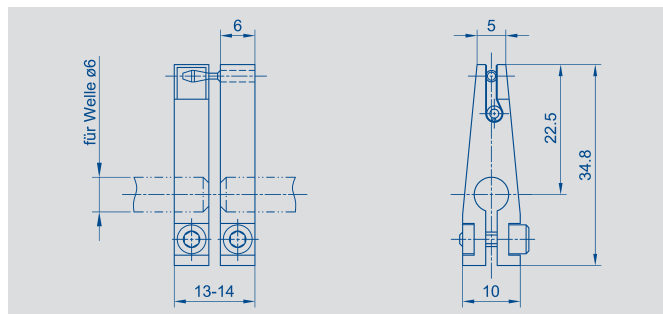
Typ	ϕA	ϕB	Art.No.
Z103 G 3	3	3	005687



Z104 G 6

Fork coupling with low backlash for shaft diameter 6 mm. Stainless steel, ground driving pin. Mounting with 2 headless pins M 3 each with hexagon socket. Allen key size 1.5 is supplied.

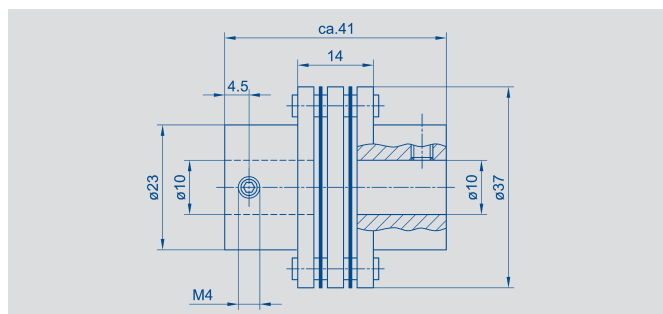
Typ	ϕA	ϕB	Art.No.
Z104 G 6	6	6	005690



Z105 G 6

Backlash-free fork coupling for shaft diameter 6 mm. Black anodized aluminium, driving pin and spring hardened. Clamp mounting with 1 fillister head screw M3 each with hexagon socket. Max.torque 5 Ncm. Allen key size 2.5 is supplied.

Typ	Art.No.
Z105 G 6	005691



Z110 G10

Backlash-free coupling for shaft diameter 10 mm. Black anodized aluminium, driving pin and spring in phosphor bronze. Mounting with 2 threaded pins M4 each with hexagon socket. Maximum torque 25 Ncm.

Typ	Art.No.
Z110 G10	005692