



**SENSORES E
INSTRUMENTACION
GUEMISA S.L.**

NIF: B-87969416

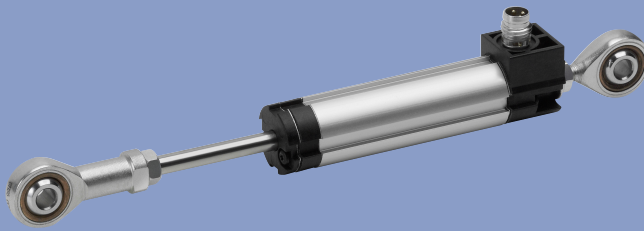
C\ La Fundición 4 Bis - Pl 1ª Oficina-2
28522 Rivas Vaciamadrid (Madrid)
Telf. 91 764 21 00
email: ventas@guemisa.com

www.guemisa.com

novotechnik
Siedle Gruppe

**Position Transducers
Pivot head mounting
potentiometric
up to 300 mm, IP54**

Series TEX



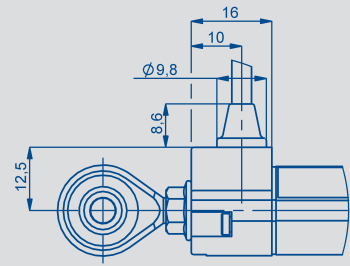
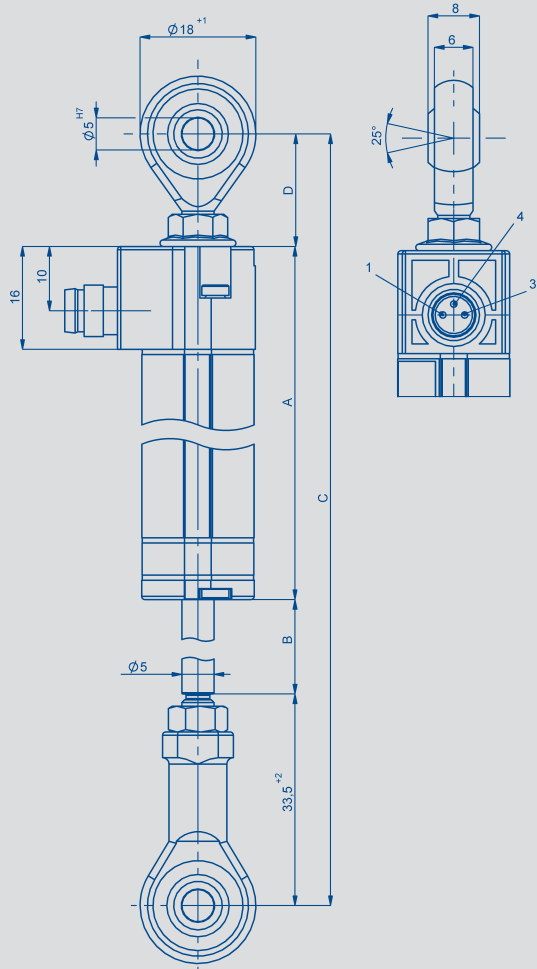
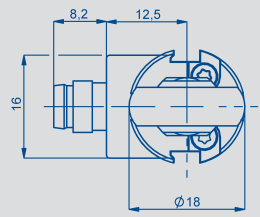
Special features

- compact dimensions
- protection class IP54
- mountable over back-lash
- free pivot heads with a large angle of free movement (up to $\pm 12,5^\circ$)
 - very long life (depending on application) up to 100 million movements
- resolution better than 0.01 mm
- outstanding linearity up to $\pm 0.05\%$
- variable mechanical customer interfaces
- cable or connector version available
- heavy-duty version IP67 see data sheet TX2

Compact design and easy to assemble via pivot heads characterize this inexpensive transducer. This transducer is suitable for various industry applications. By the simplicity of the measuring system - passive and absolute - the transducer is largely insensitive to electrical interference. The measuring value remains despite power failure.

The electrical connection can be made via a radial plug connector, a radial or axial cable. Transducers with and without restoring spring and mounting clamp, central thread or flange plates see separate data sheets TEX.

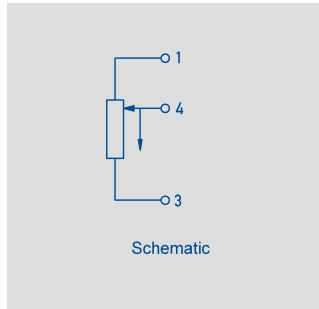
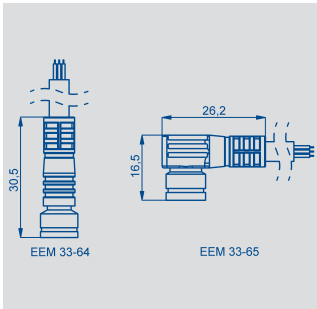
Description	
Housing	aluminium, anodized
Mounting	see drawing
Actuating rod	stainless steel (1.4305), rotatable, external thread M5
Bearings	sleeve bearing
Resistance element	conductive plastic
Wiper assembly	precious metal multi-finger wiper
Electrical connections	3-pin round connector M8x1 3-wire PUR-cable, 3x0.14 mm ² , shielded, 2 m or 5 m lengths



Ordering specifications

Preferred types printed in bold

T	E	X	-	0	1	5	0	-	4	1	5	-	0	0	2	-	2	0	2	
Series				Electrical defined range Standard lengths from 0010 mm up to 0300 mm					Mechanical fixing 3: Pivot heads long 5: Pivot heads short				Electrical version 002: linearized			Electrical connection 101: 3-pin round connector M8x1, radial output 202: NT standard cable 2 m, radial output 205: NT standard cable 5 m, radial output				
									Mechanical version actuating rod 1: Transducer with one-side rod and thread M5											
									Protection class 4: one-side actuating rod, IP54											



Output connector Code 101	Cable Code 202, 205	Connector with cable EEM 33-64, / -66 / -68 / -65 / -67 / -69
PIN 1	BN brown	BN brown
PIN 4	WH white	BK black
PIN 3	GN green	BU blue

Optional accessories

PUR-cable with 3-pin female connector M8x1, 3x0.34 mm², IP67, unshielded:

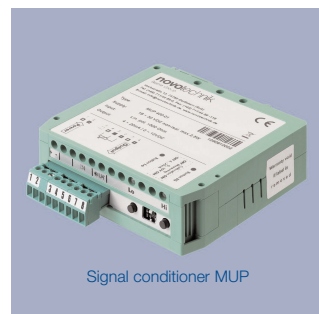
2 m lengths, EEM-33-64, P/N 005617,
5 m lengths, EEM-33-66, P/N 005619,
10 m lengths, EEM-33-68, P/N 005643.

PUR-cable with 3-pin angled female connector M8x1, 3x0.34 mm², IP67, unshielded:

2 m lengths, EEM-33-65, P/N 0056018,
5 m lengths, EEM-33-67, P/N 005620,
10 m lengths, EEM-33-69, P/N 005644

Other cable on request.

Process-controlled indicators MAP... with display, Signal conditioner MUP.../MUK... for current supply 24 V and standardized output signals.



Important

All values specified in this data sheet for linearity, lifetime and temperature coefficient are only valid for a sensor used as a voltage divider with virtually no load applied to the wiper ($I_e \leq 1 \mu A$).