



SENSORES E INSTRUMENTACION GUEMISA S.L.
NIF: B-87969416

C\ La Fundación 4 Bis - PI 1ª Oficina-2
28522 Rivas Vaciamadrid (Madrid)
Telf. 91 764 21 00
email: ventas@guemisa.com

www.guemisa.com

**NOVOHALL
Angle Sensor
non-contacting**

Series RSC3200



The housing is made of a special high grade temperature-resistant plastic material. Fixation with brass bushings allow simplicity of mounting.

The customer's D-shaft is inserted into the shaft coupling of the sensor and also takes over the function of the bearing for the position magnet.

Special features

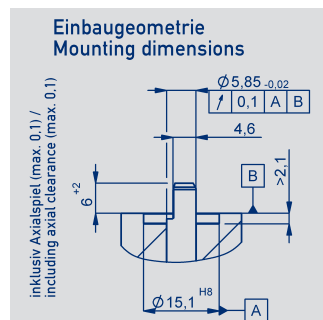
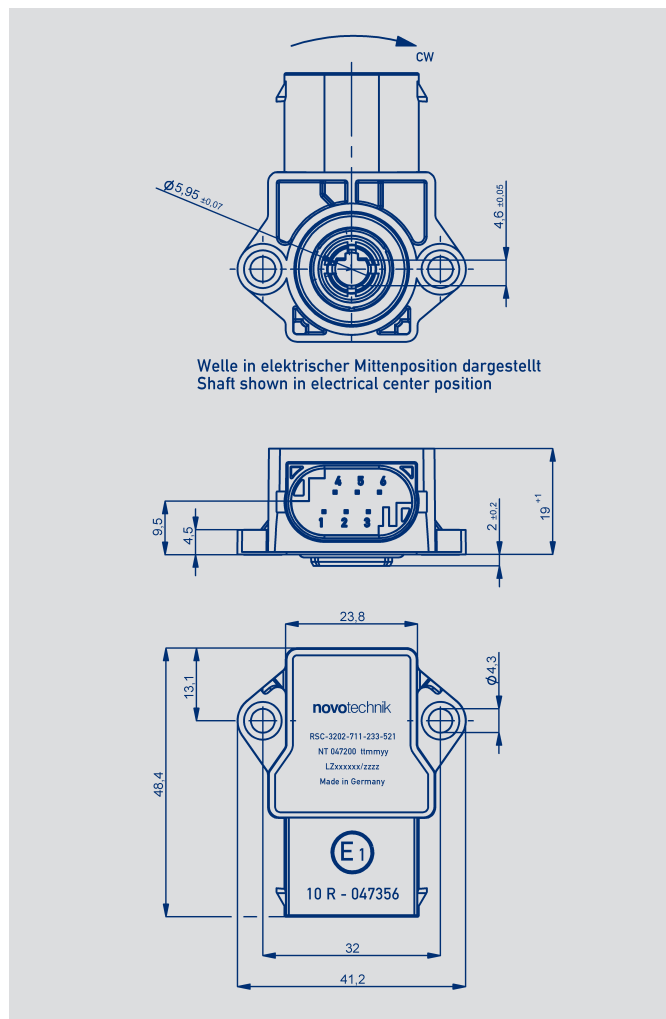
- non-contacting, magnetic measuring principle (Hall)
- analog interface
- redundant system
- electrical range up to 360°
- temperature range -40° up to +125° C
- simple mounting
- protection class IP6k7/IP6k9k
- long life
- very favourable price /performance ratio
- european E1 approved

Applications

- For mobile and automotive applications such as
- throttle
 - EGR valves
 - transmission gear
 - accelerator

Despite of its compact and wear-free design the sensors are very robust against environmental influences like vibrations, temperature variations, dirt and humidity. These sensors are suitable for use in all kinds of rough environment for example close to engines in automotive applications.

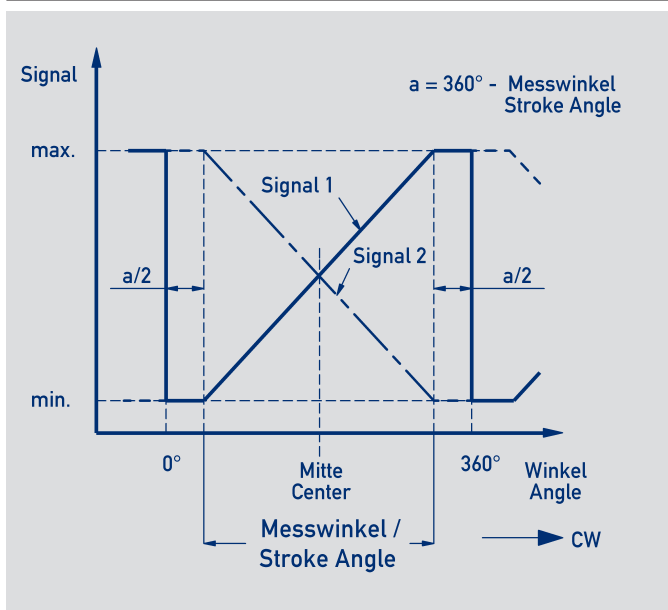
Special models with different electrical angles and contact versions are available upon request.



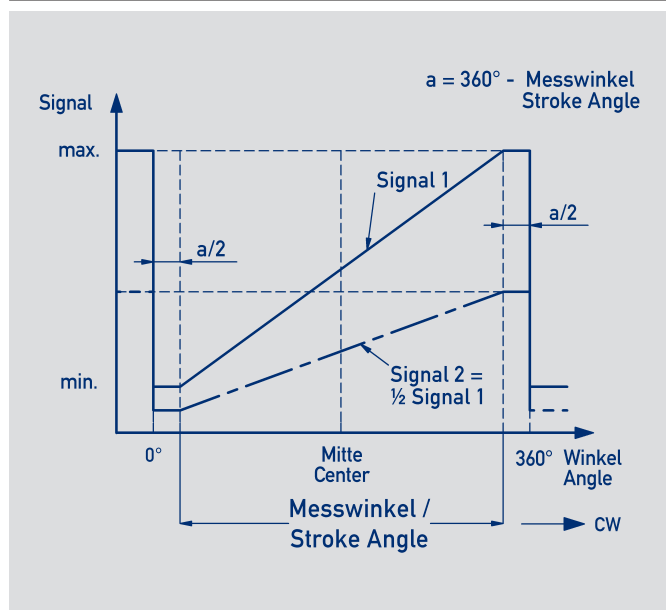
Description

Housing	high-grade, temperature-resistant plastic
Integrated shaft coupling	high-grade plastic
Electrical connections	6-pin MQS-connector, code A, tinned contact according to drawing AMP-114-18063-126, Index A1 (connector: AMP P/N 1-967616-1)
Sealing	O-ring

Output characteristic (code 2 _ 4)



Output characteristic (code 2 2 9)



Connection assignment	MQS-connector
GND 2	Pin 1
GND 1	Pin 2
Supply voltage 1	Pin 3
Supply voltage 2	Pin 4
Output 2	Pin 5
Output 1	Pin 6

Type designations	RSC-3202-8 _-2 _-521			
Mechanical Data				
Dimensions	see drawing			
Mounting	with 2 M4 screws			
Starting torque of mounting screws at housing flange	200 ... 300			Ncm
Mechanical travel	360 continuous			°
Maximum operational speed	mechanical unlimited			
Weight	approx. 25			g
Electrical Data				
Maximum permissible applied voltage	5 (4.5 ... 5.5)			VDC
Current consumption without load	typ. 15 (typ 8 on request) per channel			mA
Reverse polarity protection	yes, supply lines			
Short-circuit protection	yes (vs. GND and Ub)			
Measuring range	0...60 up to 0...360 in 5 angles available (s. ordering code)			°
Number of channels	2			
Update rate	2.5			kHz
Resolution	12			bit
Repeatability	0.5			
Absolute linearity at measuring angle	60° 2.0 (additional ±0.3 % at FS at electrical code 229 for channel 2)	120° / 180° 1.5	240° / 360° 1.0	± % FS
Interlinearity	3			± % FS
Output signal	ratiometric to Ub 0.25...4.75 0.5...4.5 (load resistance ≥ 1 kΩ)			VDC VDC
Temperature error at measuring angle	60° ≤ 1.1 (additional ±0.3 % at FS at electrical code 229 for channel 2)	120° / 180° ≤ 0.7	240° / 360° typ. 0.5	± % FS
Environmental Data				
Temperature range	- 40 up to +125			°C
Vibration (IEC 60068-2-6)	5...2000 Amax = 0.75 amax = 20			Hz mm g
Shock (IEC 60068-2-27)	50 (11 ms)			
MTTF (DIN EN ISO 13849, parts count method, w/o load)	285 (per channel)			Years
Functional safety	If you need assistance in using our products in safety-related systems, please contact us			
Protection class (ISO 20653)	IP6k7 / IP6k9k (mounted with O-ring)			
EMC compatibility	ISO 11452-2 Radiated EM HF-fields, Absorber Hall 100 V/m ISO 11452-5 Radiated EM HF-fields, Stripline 100 V/m ISO 10605 (Kap. 5.2) Packaging and Handling + Component Test 8 kV ISO 10605 (Kap. 5.3) Powered up test 8 kV CISPR 25 Radiated Emission, class 5 Interference emission and immunity according to ECE-R10 (E1)			

Ordering specifications

Preferred types printed in bold:

- delivery time up to 25 pcs. within 10 working days
- no low volume surcharge

Operating voltage U_b
2: $U_b = 5\text{ V}$ (4.5...5.5 V)

Output signal

1: **0.25 ... 4.75 V ratiometric**
2: 0.5 ... 4.5 V ratiometric

Output characteristics

4: **crossed outputs, channel 1 rising CW**
9: rising CW, channel 2 with 50 %, signal level to channel 1 (only 229)
Other characteristics on request

Electrical connection

521: **connector AMP MQS 6-pin male**
Cable versions and assembled connectors on request

R S C - **3 2 0 2** - **8 3 6** - **2 1 4** - **5 2 1**

Series

Mechanical version
3202: standard

Measuring range

06: angle 60°
12: angle 120°
18: angle 180°
24: angle 240°
36: angle 360°

Model:

8: **fully redundant (2 x U_b , 2 x output)**

Necessary accessories

- Mating connector:
plug socket (female),
AMP P/N 1-967616-1
- Tinned contact for cable
cross-section area 0.3...0.5 mm²,
(AWG 22)
AMP P/N 963727-1 (6x),
- Single conductor sealing
AMP P/N 967067-2 (6x)
- Female Connector-Kit EEM
33-34, P/N 005666,
consisting:
1 plug socket,
6 contacts
6 single conductor sealings