

RoHS Compliance

PMP-10HTZL

FEATURES

- Contactless inclination sensor, set 2pieces of PMP-S10HT in an alminum die-casting housing
- X and Y axis inclination sensing capability
- Dripproof: IP65
- Long useful life

Electrical Specifications

Electrical Tilt Angle	± 10°
Tilt Sensitivity	0.02° MAX.
Output Range	10 ~ 90% Vin
Index Point	50 ± 2% Vin
Zero-Based* Lin.	± 1%FS*
Input Voltage	DC5 ± 0.5V
Load Resistance	10k MIN.
Supply Current	20mA MAX.
Insulation Resistance	DC50V 100M MIN.
Temp. Characteristics (-20°C ~ 80°C)	0 °Position ± 1°
Based Temp. 25°C	± 10 °Position ± 1.5°

*over ±20 °angle, linearity is 1.5 °FS

Mechanical Specifications

Mechanical Angle	± 12° MIN.
Response Time	Approx. 0.5 sec.(Damper Oil 1,000cst)
Weight	Approx. 230g

Enviromental Specifications

Vibration	70m/s ² 3axis 2hours
Shock	1,000m/s ² 6axis 3times
EMS	100V/m, 200M ~ 1GHz
Operating Temp.	-20 ~ 80
Storage Temp.	-40 ~ 80
ESD(Case - Each Terminal)	± 4kV
ESD(Each Terminal)	± 4kV
IP Level	IP65

OPTIONS

- Electrical Tilt Angle: ± 5 °、 ± 20 °、 ± 30 °
- Available with different electrical angel on X and Y axis
- Available with X-axis only

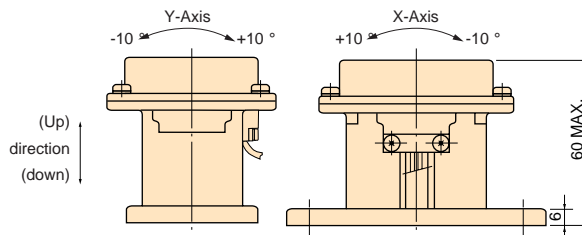
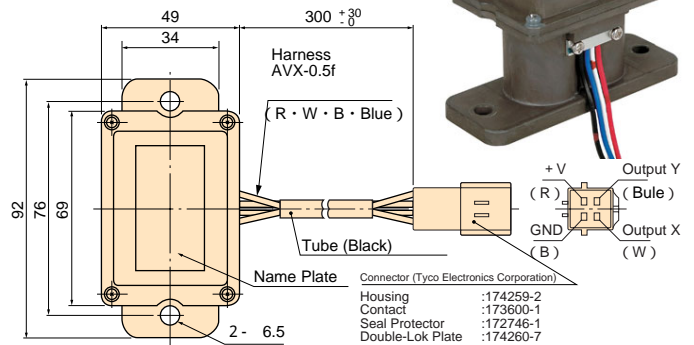
Temp. Characteristics of special Elect. angle

Elect. angle	PMP-S5HT	PMP-S20HT	PMP-S30HT
At 0 °	1.0 °	2.5 °	2.5 °
At ± X °	1.5 °	2.5 °	3.0 °

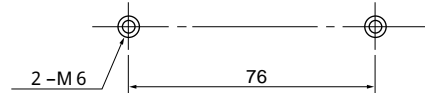
X ≈ max. tilt angle

Temp. Range : -20 ~ 80°C(Ref. Temp.25°C)

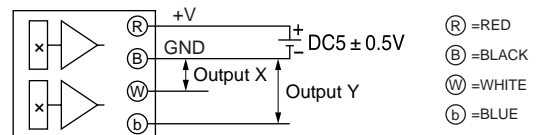
DIMENSION (mm)



MOUNTING

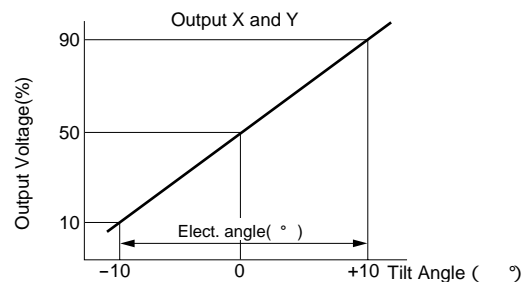


SCHEMATIC



Red, White, Black and blue indicate harness colors

OUTPUT CHARACTERISTICS



HANDLING INSTRUCTION

- This product may be damaged by extreme shock such as dropping on the floor and storing sideways.
- This product may be influenced from external magnetic field of apparatus which generates a magnetic field.
- Use this sensor in the place where is protected from ESD.
- Silicom damper oil is filled in the housing.
- Response time is step response time at room temperature.