

**GENERAL:**

MODEL CPP-45B IS 45mm(1.77")O.D., 6mm(0.236")DIA. SHAFT  
 PRECISION CONDUCTIVE PLASTIC POTENTIOMETER. ITS SUPERB  
 QUALITY, RELIABILITY AND PERFORMANCE MAKE CPP-45B SUITABLE  
 FOR PRECISION POSITION SENSING APPLICATIONS.

**ELECTRICAL SPECIFICATIONS:**

ELECTRICAL ANGLE: 350°  
 TOTAL RESISTANCE: 1k, 2k, 5k, 10k and 20k OHMS  
 TOTAL RESISTANCE TOLERANCE: ± 15%  
 LINEARITY (INDEPENDENT):  $\pm 0.3\%$ . (  $\pm 0.1\%$  AVAILABLE )  
 REPEATABILITY:  $\pm 0.003\%$   
 POWER RATING: 3 WATTS @ 70 °C  
 INSULATION RESISTANCE : 100 meg OHMS MIN. @ 1,000 Vdc  
 DIELECTRIC STRENGTH: 1,000 Vrms @50/60 Hz for 1 MINUTE

**MECHANICAL SPECIFICATIONS:**

MECHANICAL ANGLE: 360°  
 TORQUE: 18 g-cm ( 0.25 in-oz )  
 WEIGHT: APPROX. 60 g (2.1 oz)  
 LIFE: 10 MILLION CYCLES MIN.  
 GANGING: UP TO 8 SECTIONS

**ENVIRONMENTAL SPECIFICATIONS:**

OPERATING TEMPERATURE: -40°C to +120°C  
 VIBRATIONS: 15 Gs, 2,000 Hz  
 SHOCK: 50Gs, 11 mS

C.O.N	SYM	DESCRIPTION	DATE	DRAWN	APPR'D
A		M3, 4 DEEP HOLES ADDED.	5/25/94	T.TSUGAWA	
B		1) WAS ±0.5%.	05/06/02	T.TSUGAWA	

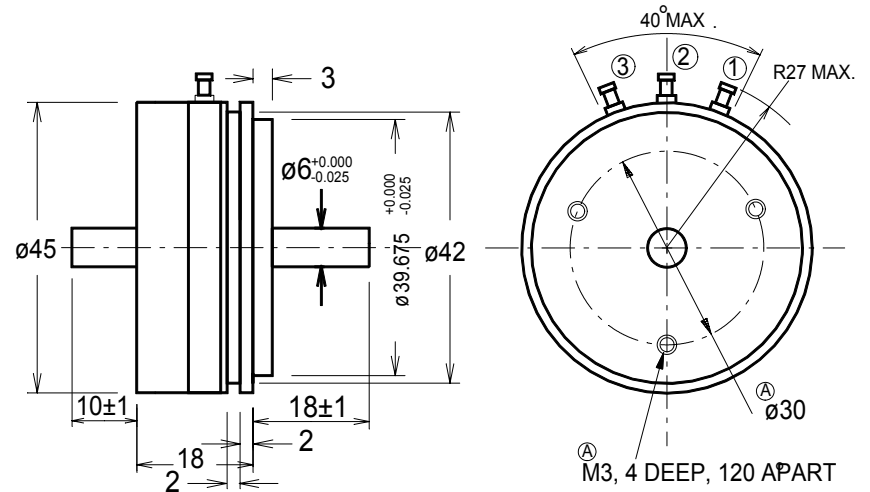


FIGURE 1 OUTLINE DIMENSION

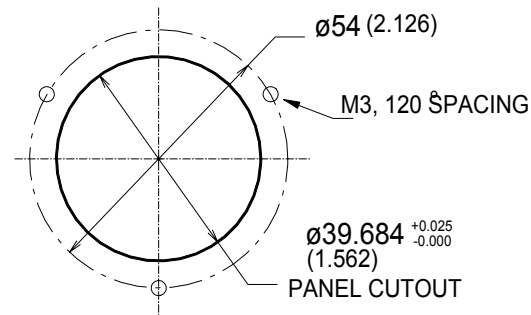


FIGURE 2 MOUNTING DIMENSION

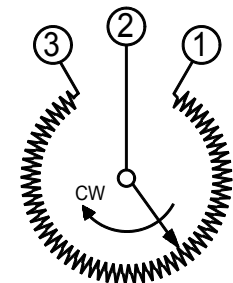


FIGURE 3 WIRING DIAGRAM



**GUEMISA**

Sta. Virgilia 3-b ; 1°F 28033 Madrid  
 Tfno.: 91 764 21 00 Fax.: 91 764 21 32  
 Email: info@guemisa.com

UNLESS OTHERWISE SPECIFIED, DIMENSIONS ARE IN mm(in).  
 TOLERANCES:  
 ANGLES ±1.5°  
 <10 mm: ±0.25  
 <100 mm: ±0.5  
 >100 mm: ±1

DRAWN T.TSUGAWA	DATE 2/16/94	<b>SPECIFICATION DWG FOR MODEL CPP-45B POTENTIOMETER</b>	
CHECKED	DATE		
APPROVED	DATE		
APPROVED	DATE		
SCALE:	FILE: CPP-45B		1 OF 1