



**TDSH**

**Technical data**

<b>Measuring range</b>	-30 to +150°C
<b>Sensing elements</b>	See ordering (other elements on request)
<b>Connections</b>	2-wire (on request 3 and 4-wire)
<b>Probe material</b>	Steel
<b>Probe diameter</b>	6 mm
<b>Probe length</b>	50, 100, 150, 200, 250, 300 or 400 mm
<b>Housing material</b>	Plastic
<b>Housing dimensions</b>	72x64x39 mm excluding cable entry gland
<b>Protection</b>	IP 65
<b>Mounting</b>	With supplied (attached) flange
<b>Isolation resistance</b>	> 100Mohm, at 20°C (500 Vdc)

**Application/Description**

The duct temperature sensor TDSH is used for sensing the air temperature in heating, ventilation and air conditioning systems (e.g. in supply air, extract air or mixed air ducts).

The TDSH is a passive duct temperature sensor available with different sensing elements such NTC 10K, NTC 1.8K, NTC 20K, PTC, PT100, PT1000, NI1000 etc.

Passive sensing elements is a low cost alternative to measure temperature with simple 2 wire connection.

The probe is made of quality steel, available with several different lengths from 50 mm to 400 mm.

A flange is supplied with the TDSH for mounting and adjustment of penetration depth.

The sensing element is located in the end of the probe and wiring connection is inside the IP 65 housing on a terminal block, the housing is supplied with a plastic cable entry gland.

**Features**

- Sensing elements  
Thermistors, Platinum and Nickel  
NTC 10K, NTC 1.8K, NTC 20K, PTC, PT100, PT1000, NI1000 etc.
- Probe lengths  
50, 100, 150, 200, 250, 300 and 400 mm
- Easy to fix penetration dept with mounting flange
- IP 65 protection
- Simple 2-wire connection
- Economical way to measure temperature

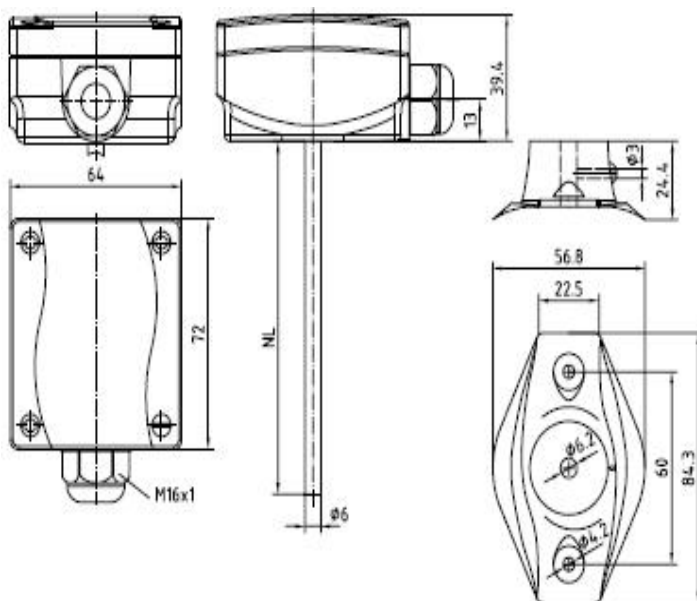
**Ordering**

Type no.	Description
TDSH NTC 10K xxx	Duct temperature sensor
TDSH NTC 1.8K xxx	Duct temperature sensor
TDSH NTC 20Kxxx	Duct temperature sensor
TDSH KTY 2K xxx	Duct temperature sensor
TDSH PT100 xxx	Duct temperature sensor
TDSH PT1000 xxx	Duct temperature sensor
TDSH NI1000 xxx	Duct temperature sensor

xxx = probe length in mm; 50, 100, 150, 200, 250, 300 or 400.

Order example:  
Type number for duct temperature sensor PT1000 with 150 mm probe length will be TDSH PT1000 150.

**Dimensions (mm)**



NL = 50, 100, 150, 200, 250, 300 or 400 mm (probe length)

**Connection**

1x two-wire connection

