

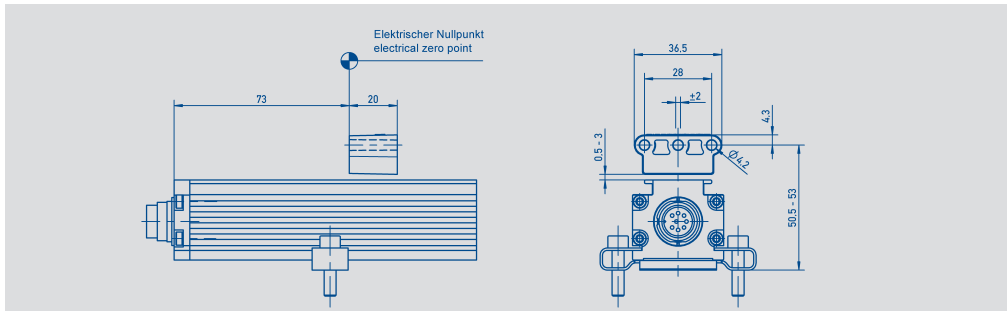
**Position Marker
for non-contacting
Transducers
Profile design**

Series TP1 / TLM



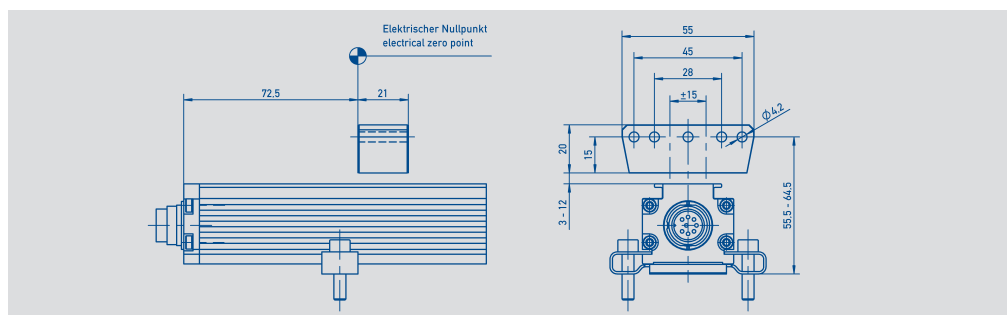
GUEMISA

Sta. Virgilia, 29 - 28033 Madrid - Tfno.: 91 764 21 00
Desde 1986 suministrando sensores e instrumentación
<http://www.guemisa.com> - ventas@guemisa.com



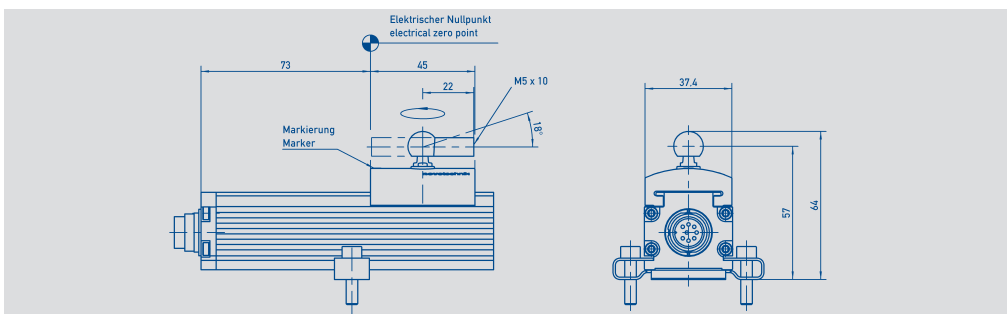
Z-TP1-P06

Floating position marker
Art.No. 005693
weight approx. 10 g.
Working distance 0.5 - 3 mm



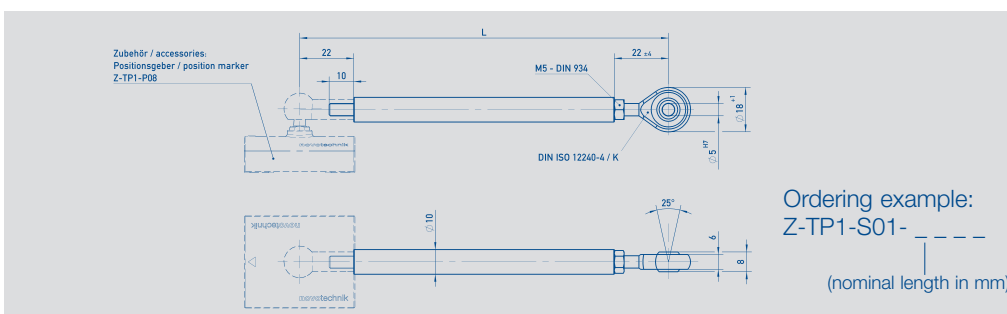
Z-TP1-P07

Floating position marker
Art.No. 005694,
weight approx. 40 g.
Working distance 3 - 12 mm



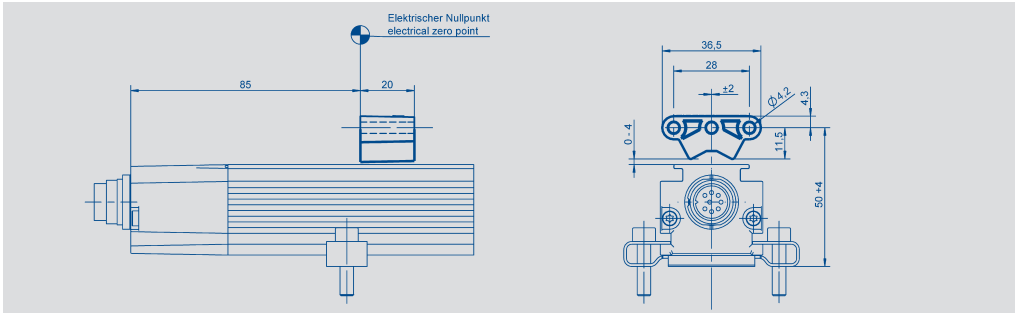
Z-TP1-P08

Guided position marker
Art.No. 005695,
weight approx. 30 g

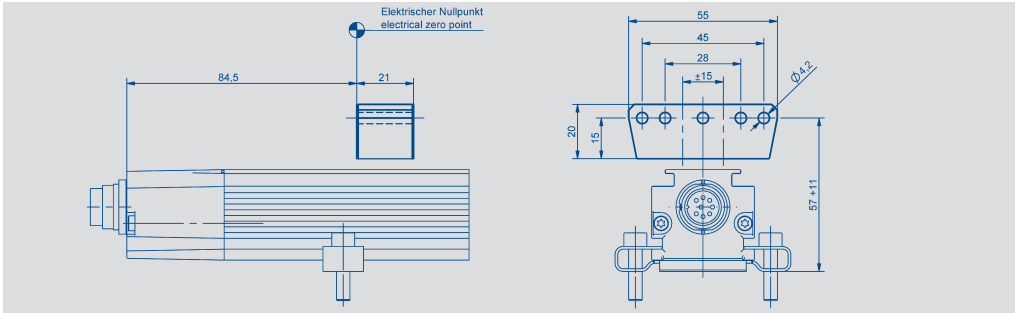


Z-TP1-S01-

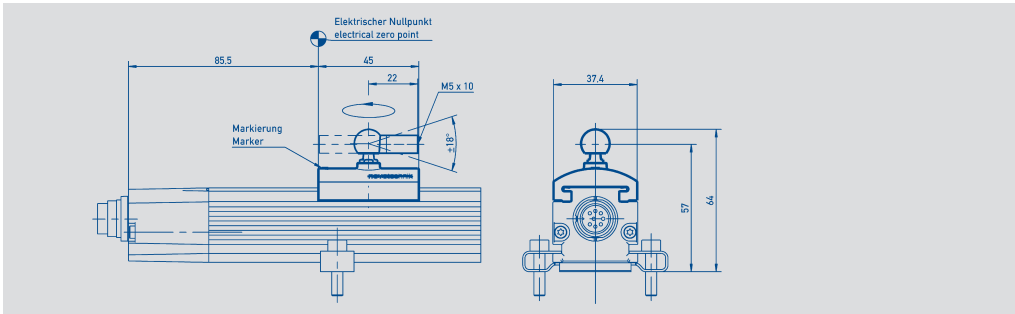
Actuating rod for guided
position marker Z-TP1-P08 and
Z-TLM-P05,
weight approx. 150 g/m
Material aluminium;
Standard nominal length (mm):
0075, 0100, 0125, 0150,
0200, 0250, 0300, 0350,
0400, 0450, 0500, 0600,
0800, 1000, 1500, 2000



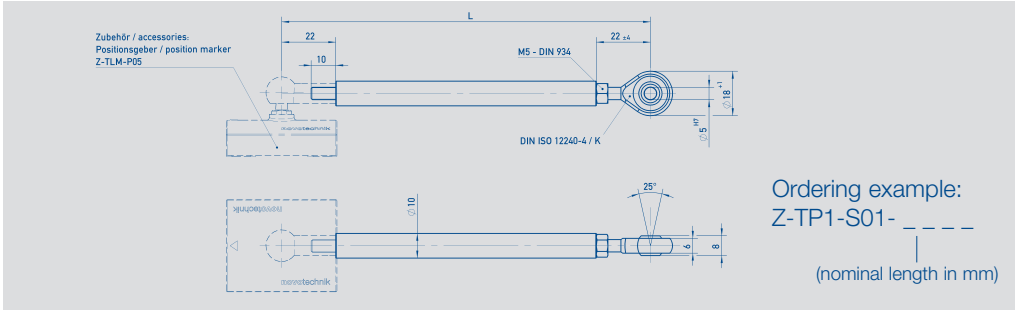
Z-TLM-P01
 Floating position marker for
 TLM and TMI
 Art.No. 005651
 weight approx. 10 g.
 Working distance 0 - 4 mm



Z-TLM-P04
 Floating position marker for
 TLM and TMI
 Art.No. 005654,
 weight approx. 40 g.
 Working distance 4 - 15 mm



Z-TLM-P05
 Guided position marke,
 Art.No. 005655,
 weight approx. 30 g



Z-TP1-S01- _ _ _ _ _
 Actuating rod for guided
 position marker Z-TP1-P08 and
 Z-TLM-P05,,
 weight approx. 150 g/m
 Material aluminium;
 Standard nominal length (mm):
 0075, 0100, 0125, 0150,
 0200, 0250, 0300, 0350,
 0400, 0450, 0500, 0600,
 0800, 1000, 1500, 2000

Ordering example:
 Z-TP1-S01- _ _ _ _ _
 (nominal length in mm)

Other position markers and float position markers see data sheet rod style transducers