

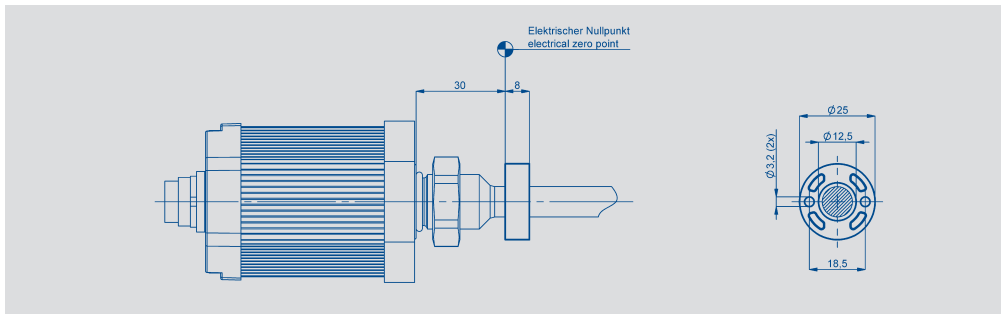
Position marker
for non-contacting
Transducer
Rod Style

Series TMI / TIM



GUEMISA

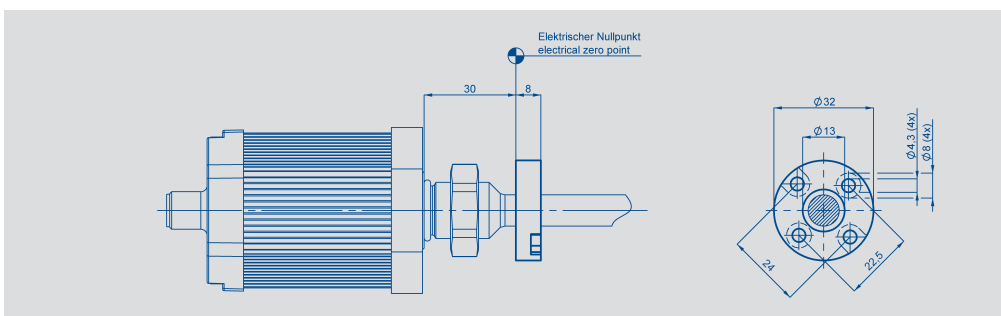
Sta. Virgilia, 29 - 28033 Madrid - Tfno.: 91 764 21 00
Desde 1986 suministrando sensores e instrumentación
<http://www.guemisa.com> - ventas@guemisa.com



Z-TMI-P02

Ring position marker for TMI and TIM

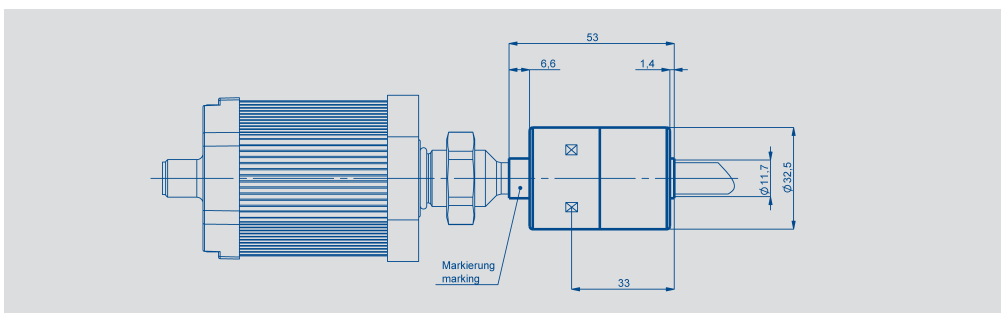
Art.No. 005652,
weight approx. 10 g



Z-TMI-P14

Ring position marker for TMI and TIM

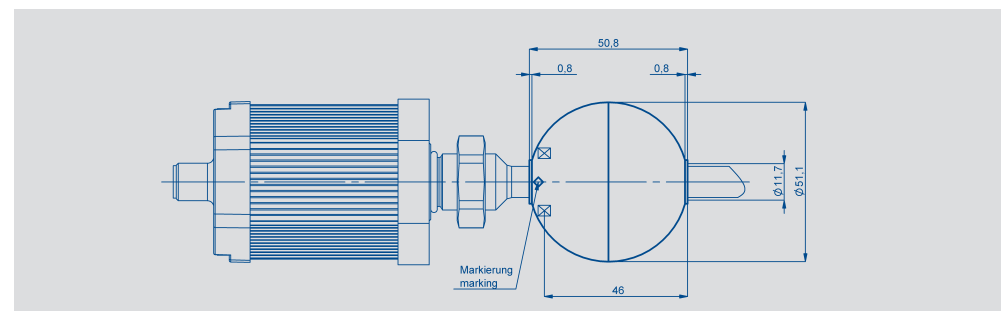
Art.No. 005657,
weight approx. 12 g



Z-TMI-P10

Float position marker for TMI (when used with TIM zero off-set)

Art.No. 005662,
weight approx. 20 g.
Material stainless steel 1.4571 / 1.4404. Surface stained.
Immersion depth in water approx. 35 mm



Z-TMI-P11

Float position marker for TMI (when used with TIM zero off-set)

Art.No. 005663,
weight approx. 30 g.
Material stainless steel 1.4571 / 1.4404. Surface stained.
Immersion depth in water approx. 25 mm and in 0.7 g/cm³ approx. 40 mm