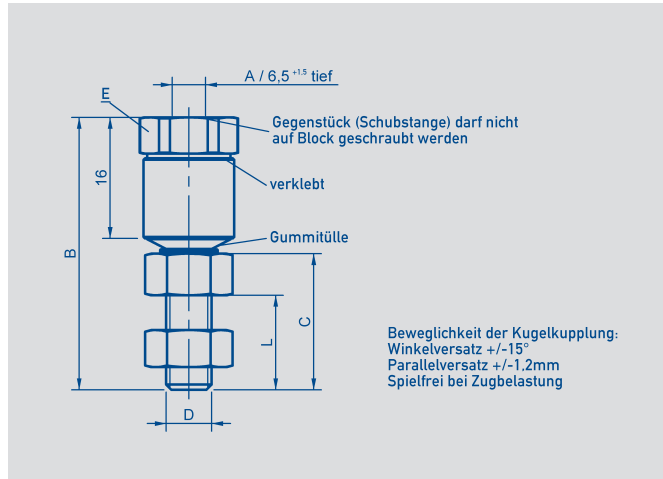


**Accessories for  
Linear Transducers**  
- Ball Coupling  
- Roller Head  
- Ball and Socket  
Coupling



**GUEMISA**  
Sta. Virgilia, 29 - 28033 Madrid - Tfno.: 91 764 21 00  
Desde 1986 suministrando sensores e instrumentación  
<http://www.guemisa.com> - [ventas@guemisa.com](mailto:ventas@guemisa.com)

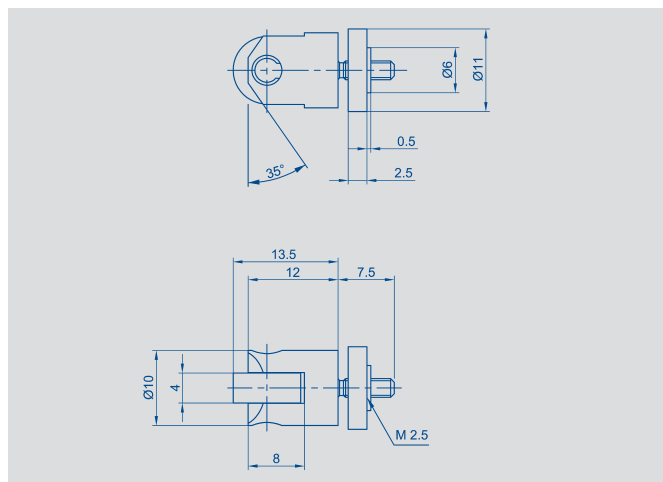


**Z-301**

Ball coupling avoids side loads. For use with transducers series LWH, TLH and TEX.

Mounting via internal thread at rod.

Type	A/D	L	B	C	E	Art.No.
Z-301-M6/M6	13	36	18	SW12	058001	
Z-301-M6/M4	9	37	15	SW10	005679	
Z-301-M5/M5	14	36	15	SW12	058002	

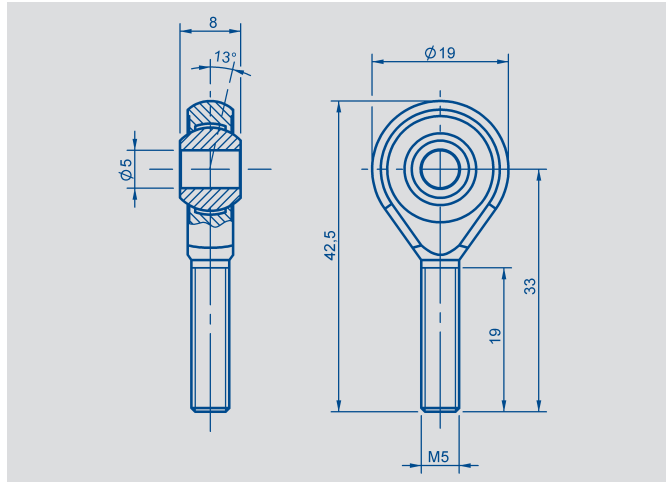


**Z-R50**

Roller head to be used with transducers series LS1, TR/TRS and FTI. Hardened steel roll.

Mounting via external thread M2.5, lock with knurled screw.

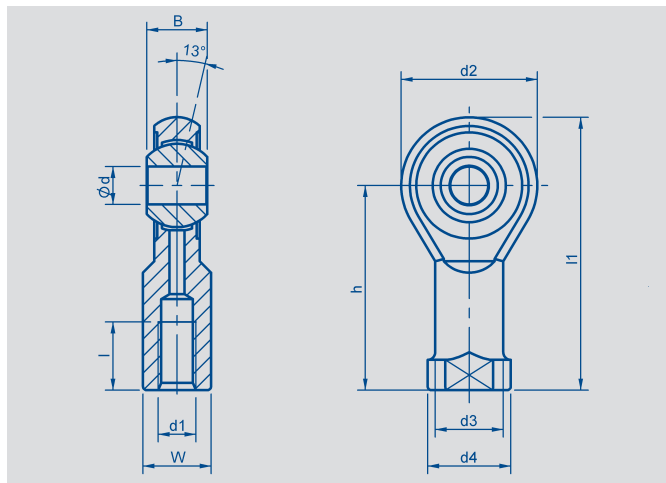
Typ	Art.-Nr.
Z-R50	005678



### Z-G02

Ball and socket coupling for rod Series TLM.  
Tilt angle max. 13°.  
Mounting via external thread.

Typ	Art.Nr.	for Series
Z-G02	056033	TLM



### Z-G\_ \_

Ball and socket coupling for transducer Series LWH, TLH and TEX.  
Tilt angle max. 13°.  
Mounting via external thread.

Type	Art.No.	for Series
Z-G60	058100	LWH
Z-G01	056014	TLH / TEX

Type	Art.No. 058100 Z-G60	Art.No. 056014 Z-G01
Ød	6	5
d1	M6	M5
d2	12	19
d3	10	9
d4	13	11
B	9	8
h	30	27
l min.	9	8
l1	40.5	36.5
W	11	9