

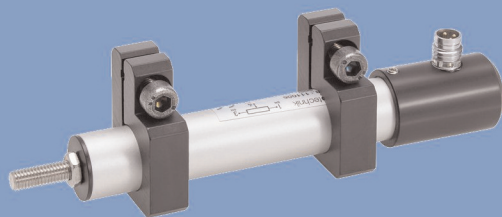
**Position Transducers
with mounting clamps
potentiometric
up to 300 mm, IP67**

Series TX2



GUEMISA

Sta. Virgilia, 29 - 28033 Madrid - Tfno.: 91 764 21 00
Desde 1986 suministrando sensores e instrumentación
<http://www.guemisa.com> - ventas@guemisa.com



Special features

- compact dimensions
Ø 16 mm
- protection class IP67
- very long life (depending on application) up to 50 million movements
- resolution better than 0.01 mm
- outstanding linearity up to ±0.05 %
- suitable for harsh environmental conditions (humidity, oil, dust)
- cable or connector version available

High protection class and very compact dimensions characterize this cost effective transducer.

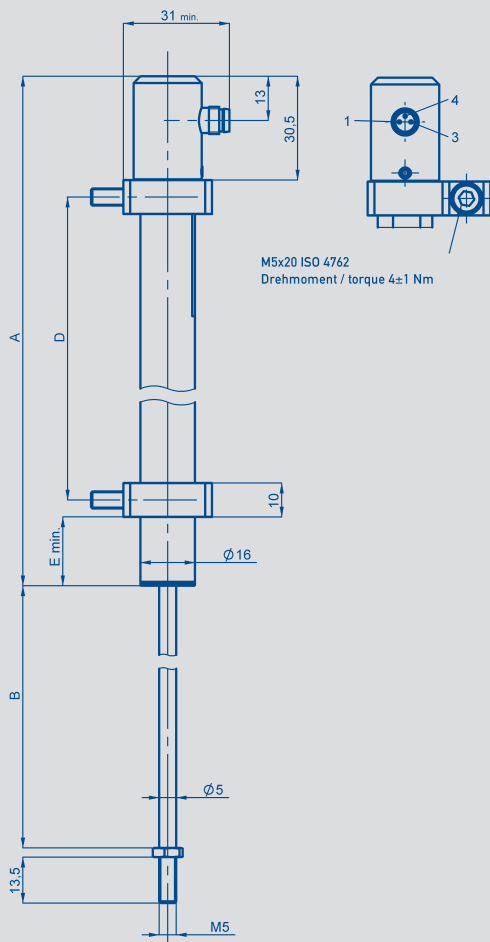
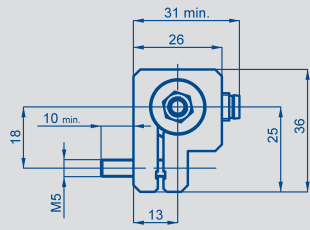
The heavy-duty design with metal flanges and double sealed actuating rod allows a variety of applications even under adverse conditions like e.g. dirt, dust and humidity.

The adjustable fixing via mounting clamps makes a variable and simple mounting of the sensor possible, particularly for industrial applications.

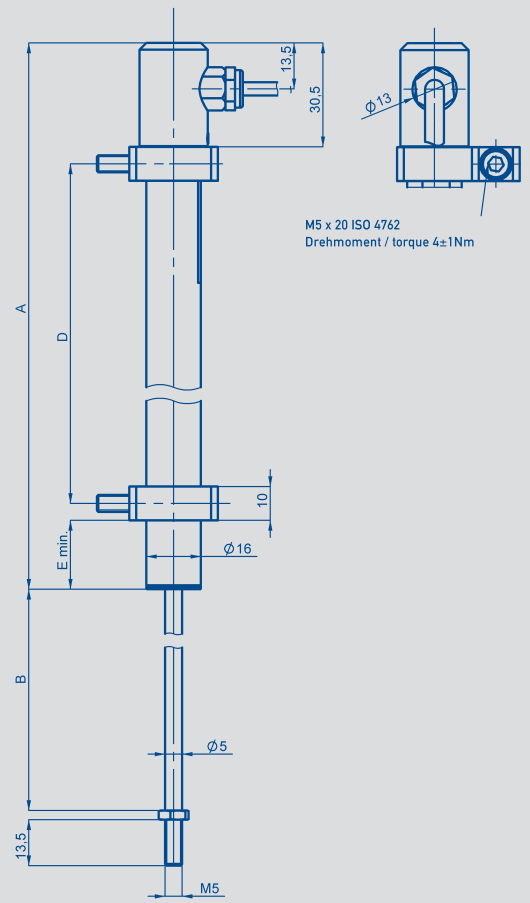
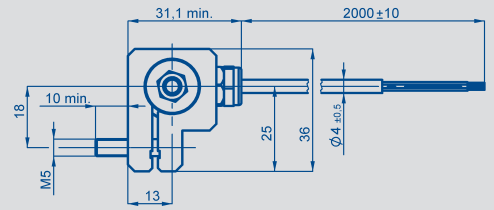
The electrical connection can be made via a radial plug connector or a radial cable.

For transducers with or without return spring and mounting clamp, bushing mount or flange plates, please see separate data sheets TEX.

Description	
Housing	aluminium, anodized
Mounting	see drawing
Actuating rod	stainless steel (1.4305), rotatable, external thread M5
Bearings	sintered bronze bush
Resistance element	conductive plastic
Wiper assembly	precious metal multi-finger wiper
Electrical connections	3-pin round connector M8x1 4-wire PUR-cable, 4x0.14 mm ² , shielded, 2 m length



M5x20 ISO 4762
Drehmoment / torque 4±1 Nm

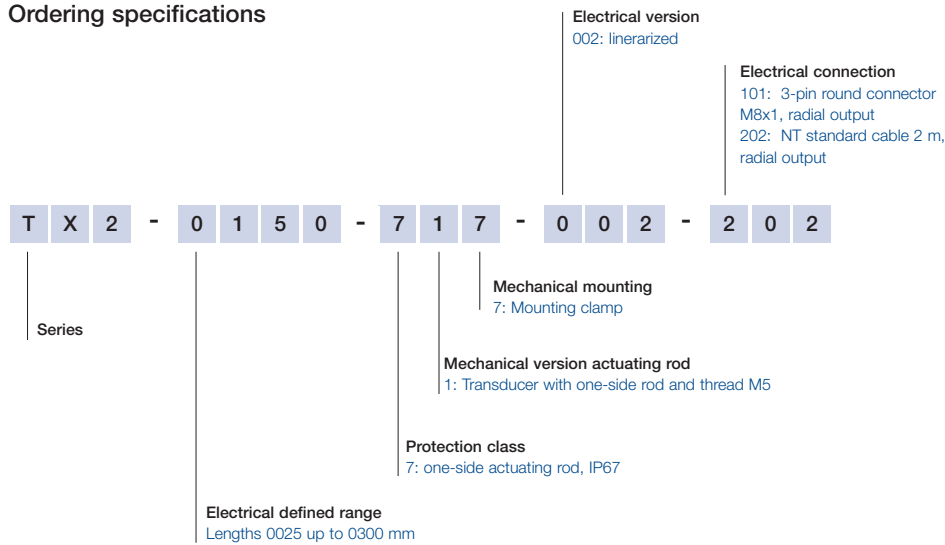


M5 x 20 ISO 4762
Drehmoment / torque 4±1Nm

Type designations	TX2 0025	TX2 0050	TX2 0075	TX2 0100	TX2 0150	TX2 0200	TX2 0250	TX2 0300	
Electrical Data									
Defined electrical range	25	50	75	100	150	200	250	300	mm
Electrical range	27	52	77	102	155	205	255	305	mm
Nominal resistance	1	2	3	4	6	8	10	12	kΩ
Resistance tolerance	20								±%
Independent linearity	0.2	0.1	0.1	0.1	0.05	0.05	0.05	0.05	±%
Repeatability	0.01								mm
Recommended operating wiper current	≤ 1								μA
Max. wiper current in case of malfunction	10								mA
Max. permissible applied voltage	42								V
Effective temperature coefficient of the output-to-applied voltage ratio	typical 5								ppm/K
Insulation resistance (500 VDC)	≥10								MΩ
Dielectric strength (500 VAC, 50 Hz)	≤100								μA
Mechanical Data									
Body length (dimension A)	86	111	136	161	224	274	324	374	±1 mm
Mechanical stroke (dimension B)	30	55	80	105	158	208	258	308	±1 mm
Recommended mounting clamp distance (dimension D)	30	50	70	90	140	190	240	290	mm
E min. (dimension E)	15	20	25	25	35	35	35	35	mm
Weight approx. with connector (101) with cable (202)	100 120	110 156	120 160	130 177	150 190	163 225	190 250	205 270	g g
Operating force horizontal vertical	< 5 (at RT 20° C)								N
Tearing force	max. 15 (*)								N
Environmental Data									
Temperature range	-40 ...+85 connector / -20 ...+100 cable								°C
Operating humidity range	0 ... 95 (no condensation)								% R.H.
Vibration	5...2000 A _{max} = 0.75 a _{max} = 20								Hz mm g
Shock	50 6								g ms
Life	> 50 x 10 ⁶ typ.								movements
Operating speed	5								m/s max.
Protection class	IP67 DIN EN 60529 (use connector with IP67 or higher) The protection class IP67 was determined as fabricated condition under the following terms (DIN EN 60529): 1 m water depth, duration 0.5 h Abrasion of rod sealing depends on application and cycles. Please pay attention to the instruction manual before starting up.								

*) Depending on the environmental temperature and standstill time, the necessary force for the initial operating of the push rod can increase.

Ordering specifications

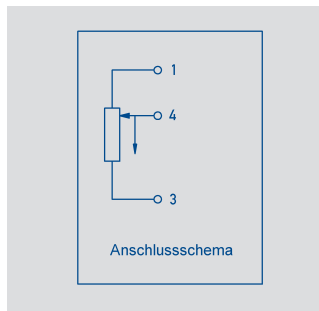
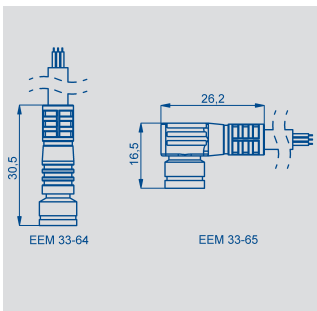


Mounting Instructions

A ball coupling is recommended for backlash-free and side load-free operation to compensate misalignment between transducer axis and the moving part.

Important

All values specified in this data sheet for linearity, lifetime and temperature coefficient are only valid for a sensor used as a voltage divider with virtually no load applied to the wiper ($I_e \leq 1 \mu A$).



Output connector Code 101	Cable Code 202	Connector with cable EEM 33-64 / -66 / -68 / -65 / -67 / -69
PIN 1	BN brown	BN brown
PIN 4	WH white	BK black
PIN 3	GN green	BU blue

Optional accessories

PUR-cable with 3-pin female connector M8x1, 3x0.34 mm², IP67, unshielded:

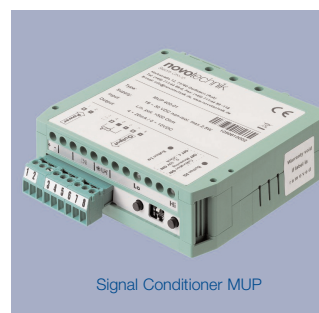
- 2 m length, EEM-33-64, P/N 005617
- 5 m length, EEM-33-66, P/N 005619
- 10 m length, EEM-33-68, P/N 005643.

PUR-cable with 3-pin angled female connector M8x1, 3x0.34 mm², IP67, unshielded:

- 2 m length, EEM-33-65, P/N 005618
 - 5 m length, EEM-33-67, P/N 005620
 - 10 m length, EEM-33-69, P/N 005644.
- Other cable on request.

Ball coupling Z-301-M5/M5, P/N 058002,
Pivot head Z-G01, P/N 056014.

Process-controlled indicators MAP... with display, Signal conditioner MUP.../ MUK... for current supply and standardized output signals.



Included in delivery

2 mounting clamps incl. 2
head cap screws M5x20