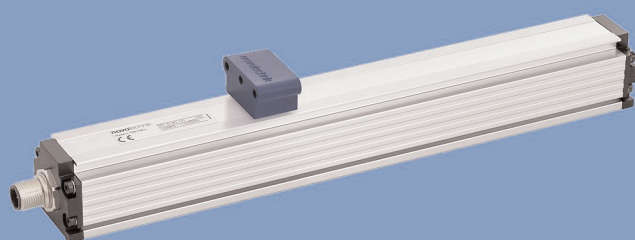




GUEMISA

Sta. Virgilia, 29 - 28033 Madrid - Tfno.: 91 764 21 00
Desde 1986 suministrando sensores e instrumentación.
<http://www.guemisa.com> - ventas@guemisa.com

**NOVOSTRICTIVE
Transducer
up to 4500 mm
touchless
absolute
Series TP1
with Start-Stop-, SSI-,
DyMoS interface**



Special features

- absolute transducer in robust profile design
- NOVOSTRICTIVE non-contacting magnetostrictive measurement principle
- non-contact position detection
- wear-free, unlimited mechanical life span
- Start-Stop pulse interface with normed speed of operation 2800 m/s
- Synchronous serial interface
- DyMoS[®]-interface with data transfer monitoring
- excellent linearity up to 10 µm
- resolution up to 0.001 mm regardless of stroke length
- low temperature coefficient <15 ppm/K
- insensitive to shock and vibration
- cable or connector version available
- protection class IP67 / IP68

Position transducer with NOVOSTRICTIVE non-contacting magnetostrictive measurement principle for direct, accurate measurement of travel in display- or feedback applications. The measurement with floating position marker takes place contactless and therefore wear-free.

The passive position marker (magnet) is optionally as floating or guided design available.

The fixing via mounting clamps allows a very simple, flexible mounting and a precise adjustment of the installation position.

The aluminium housing was designed in such a way, that a closed tight construction form with reduced installation dimensions could be realized. The transducer is insensitive to soiling such as dust, humidity or oils.

The high mechanical robustness of the transducer in combination with the measurement principle enables measuring stroke lengths up to 4500 mm.

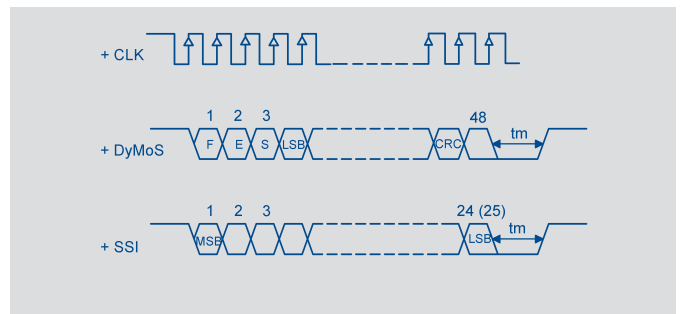
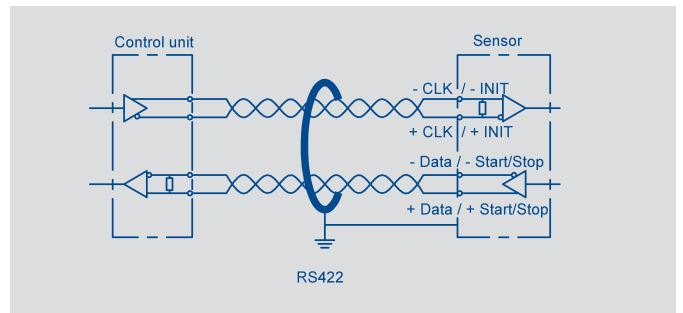
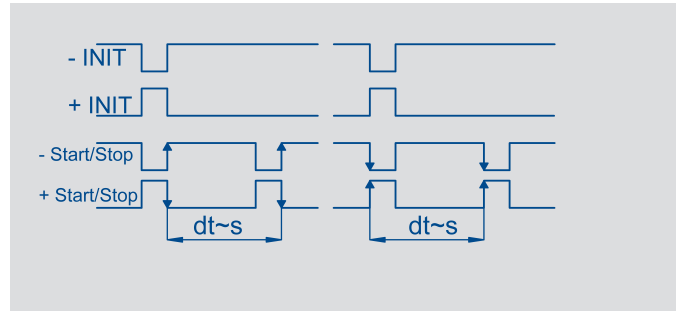
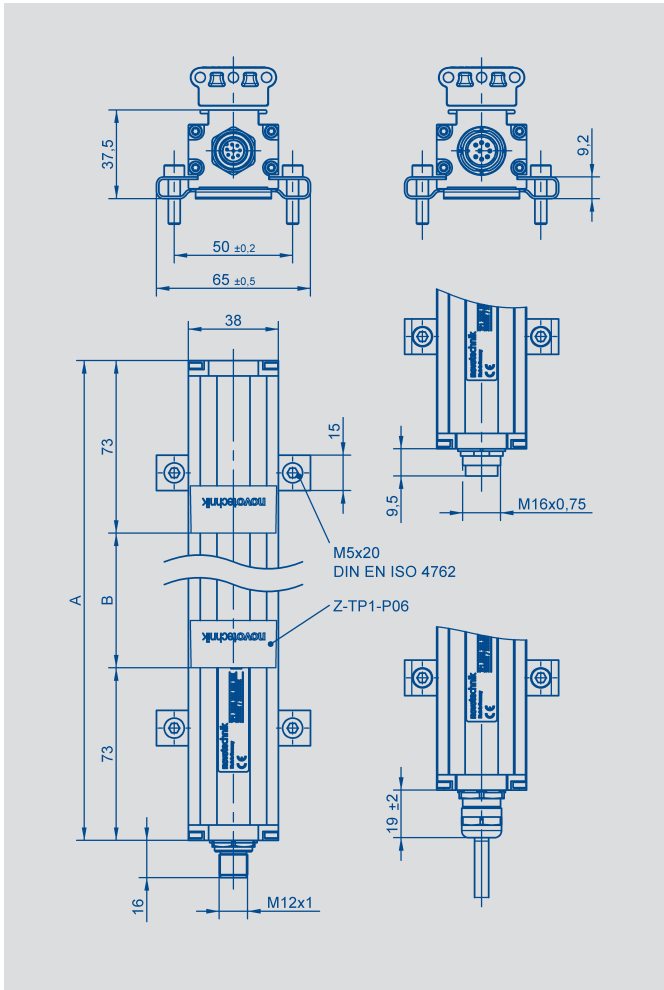
The integrated advanced ASIC electronics provides an standardized absolute output signal.

The pulse interface allows a fully tolerated processing of both edges of the Start/Stop signal and an usage of up to 3 position markers.

In addition to the familiar interfaces such as the synchronous serial interface with 24, 25 or 26 bit and the Start/Stop pulse interface also a high-dynamic serial DyMoS[®] interface with data transfer monitoring is offered. The advantages of conventional interfaces and bus interfaces have been combined in this DyMoS[®] interface. In addition to the position value, the DyMoS[®] interface also allows the actual velocity value to be sent.

Additional interfaces see separate data sheet.

Description	
Housing	Aluminium, anodized, metal end flanges
Mounting	adjustable clamps
Position marker	floating position marker, plastic guided position marker, ball coupling
Measurement principle	NOVOSTRICTIVE touchless magnetostrictive
Electr. connections	8-pin round connector, shielded, M12 x 1 8-pin round connector, shielded, IEC130-9 6-pin round connector, shielded, IEC130-9 8-wire PUR / PVC-cable, 8 x 0.25 mm ² , shielded: 1 m, 5 m or 10 m length
Electronic	SMD with ASIC, integrated Connector casing resp. shield is connected with the sensor housing, housing is capacitive decoupled to the electronic

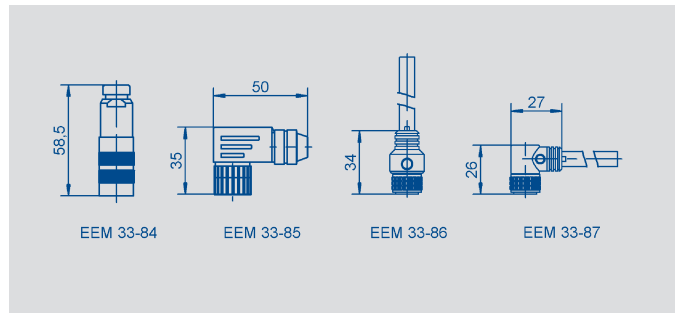
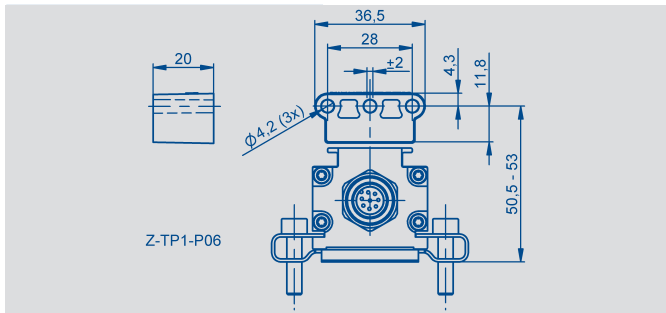


Output connector Code 101, 102	Cable Code 201, 203, 205	Connector with cable EEM33-86, EEM33-87	Start/Stop-Impulse interface	Synchronous-Serial interface	DyMoS® interface
PIN 1	YE	WH	+ INIT	+ Clk	+ Clk
PIN 2	GY	BN	+ Start/Stop	+ Data	+ Data 1
PIN 3	PK	GN	- INIT	- Clk	- Clk
PIN 4	RD	YE	do not connect	do not connect	- Data 2
PIN 5	GN	GY	- Start/Stop	- Data	- Data 1
PIN 6	BU	PK	supply GND	supply GND	supply GND
PIN 7	BN	BU	+24 VDC	+24 VDC	+24 VDC
PIN 8	WH	RD	do not connect	do not connect	+ Data 2
Output connector Code 103	SSI interface	Start-Stop-Impulse interface			
PIN 1	- DATA	- Start/Stop			
PIN 2	+ DATA	+ Start/Stop			
PIN 3	+ CLK	+ INIT			
PIN 4	- CLK	- INIT			
PIN 5	+24 VDC	+ 24 VDC			
PIN 6	supply GND	supply GND			

Type designations	TP1 - _ _ _ _ - 101 - 11 _ - _ _ _ TP1 - _ _ _ _ - 101 - 12 _ - _ _ _ Start-Stop-Impulse interface	TP1 - _ _ _ _ - 101- 2 _ _ - _ _ _ Synchronous-Serial interface	TP1 - _ _ _ _ - 101 - 13 _ - _ _ _ DyMoS® interface	
Electrical Data				
Electrical measuring range (dimension B)	0050 up to 4500	0050 up to 4500	0050 up to 4500	mm
Absolute Linearity	≤ ± 50 µm	≤ ± 10 µm** up to 1000 mm ≤ ± 25 µm** up to 2500 mm ≤ ± 40 µm** up to 4500 mm	≤ ± 10 µm** up to 1000 mm ≤ ± 25 µm** up to 2500 mm ≤ ± 40 µm** up to 4500 mm	
Tolerance of electr. zero point	± 0.5	± 0.5	± 0.5	mm
Output signal	RS422 Impulse	RS422 absolut 24, 25 or 26 bit	RS422 absolut 48 bit synchronous-serial	
Resolution	standardized up to 2800 m/s	1 or 5 µm	5 µm	
Reproducibility	≤ 6	≤ 6	≤ 6	µm
Hysteresis	≤ 4	≤ 4	≤ 4	µm
Supply voltage	24 (13...34)	24 (13...34)	24 (13...34)	VDC
Supply voltage ripple	≤ 10	≤ 10	≤ 10	% V _{ss}
Current consumption max.	≤ 100	≤ 100	≤ 100	mA
Output update rate max. *	0.25...1	16	16	kHz
Temperature coefficient	≤ 15 (min. 0.01 mm/K)	≤ 15 (min. 0.01 mm/K)	≤ 15 (min. 0.01 mm/K)	ppm/K
Overvoltage protection	40 (permanent)	40 (permanent)	40 (permanent)	VDC
Polarity protection	up to U _{max} .	up to U _{max} .	up to U _{max} .	VDC
Signal output protection	7 (permanent)	7 (permanent)	7 (permanent)	VDC
Insulation resistance (500 VDC)	≥ 10	≥ 10	≥ 10	MΩ
Mechanical Data				
Dimensions	see drawing	see drawing	see drawing	
Body length (dimension A)	dimension B + 146	dimension B + 146	dimension B + 146	± 2 mm
Environmental Data				
Operating temperature range	-40...+85	-40...+85	-40...+85	°C
Storage temperature range	-40...+105	-40...+105	-40...+105	°C
Operating humidity range	0...95 (no condensation)	0...95 (no condensation)	0...95 (no condensation)	%R.H.
MTTF (ISO 13849-1, parts count method, w/o load)	27	27	27	years
Shock per DIN IEC68T2-27	100 (11 ms)	100 (11 ms)	100 (11 ms)	g
Vibration per DIN IEC68T2-6	20 (5...2000 Hz, A _{max} =0.75 mm)	20 (5...2000 Hz, A _{max} =0.75 mm)	20 (5...2000 Hz, A _{max} =0.75 mm)	g
Protection class per DIN EN 60529	IP67 with fastened connector IP68 with cable connection	IP67 with fastened connector IP68 with cable connection	IP67 with fastened connector IP68 with cable connection	
Mechanical data when used with floating position marker				
Max. traverse speed with valid output signal	10	10	10	ms ⁻¹
Max. traverse acceleration with valid output signal	200	200	200	ms ⁻²
Life	mechanically unlimited			
Standard measuring range (dimension B)	50, 75, 100, 125, 150, 175, 200, 225, 250, 275, 300, 325, 350, 375, 400, 425, 450, 475, 500, 550, 600, 650, 700, 750, 800, 850, 900, 950, 1000, 1100, 1200, 1300, 1400, 1500, 1600, 1700, 1800, 1900, 2000, 2250, 2500, 2750, 3000, 3250, 3500, 3750, 4000, 4250, 4500 Other lengths on request.			mm
CE-Conformity				
Emission	RF noise field strength EN 55011, Klasse B			
Noise immunity	ESD EN 61000-4-2 Radiated immunity EN 61000-4-3 Burst EN 61000-4-4 Conducted disturbances induced by RF fields EN 61000-4-6			

*) Data are extrapolated, internal update rate depending on length.

**) Measured with 1 micron resolution. With a higher resolution, the permissible linearity error is increased by the resolution.



Ordering specifications

Preferred types printed in bold

Mech. version

101: Profile design

Electrical interface

1: Other digital interface

2: **Synchronous-Serial interface**

Output signal other digital interface 1 _ _

1: **Impulse interface Start Stop Signal (P) (M)**

2: Impulse interface measuring time / pulse width

3: DyMoS interface 48 bit Synchronous-Serial

Output signal Synchronous-Serial interface 2 _ _

1: **SSI 24 bit**

2: SSI 25 bit

7: SSI 26 bit (25 = Alarm; 26 = Parity Even)

Impulse interface Start Stop Signal 11 _

4: For 1 up to 3 position marker variable

Impulse interface measuring time / pulse width 12 _

1: Standard

DyMoS[®]-interface 48 bit Synchronous-Serial 13 _

1: **Binary code, resolution 5 μ m; (Pos. 1 + Vel.1)**

2: Binary code; resolution 5 μ m; (Pos. 1 + Pos.2)

3: Binary code; resolution 5 μ m; (Pos. 1 + Vel. 1) and (Pos. 2 + Vel. 2) two channel

Synchronous-Serial interface 2 _ _

1: **Binary code; resolution 5 μ m**

2: Gray code; resolution 5 μ m

4: Binary code; resolution 1 μ m

5: Gray code; resolution 1 μ m

Electrical connection

101: 8-pin round connector IEC130-9

102: 8-pin round connector M 12x1

103: 6-pin round connector IEC130-9

201: NT standard cable 1 m

203: NT standard cable 3 m

205: NT standard cable 5 m

Included in delivery

Mounting clamps Z46 electr. isolating incl. cylinder screws.

Required accessories

Floating position marker Z-TP1-P06, Art.No. 005693, Z-TP1-P07, Art.No. 005694. Guided position marker Z-TP1-P08, Art.No. 005695. Other position marker on request.

Recommended accessories

Straight connector IEC 130-9 8-pin, EEM 33-84, 6-pin, EEM 33-82. Angled connector IEC 130-9 8-pin, EEM 33-85, 6-pin, EEM 33-94. PUR-cable with 8-pin female connector M12 x 1, 8 x 0.25 mm², shielded: 2 m length, EEM 33-86, 5 m length, EEM 33-90, 10 m length, EEM 33-92. PUR-cable with 8-pin female angled connector, M12 x 1, 8 x 0.25 mm², shielded: 2 m length, EEM 33-87, 5 m length, EEM 33-91, 10 m length, EEM 33-93. Actuating rods Z-TP1-S01_... for position marker Z-TP1-P08.

Available on request

Standard cable 10 m
Specific connectors
Other resolutions
SSI two channel, Incremental, analog and fieldbus interfaces

Important

Avoid equalizing currents in the cable shield caused by potential differences. Twisted pair cable is recommended.

T P 1 - 0 8 0 0 - 1 0 1 - 2 1 1 - 1 0 2

Series

Electrical measuring range

Standard lengths 0050 up to 4500 mm
0050 up to 0500 mm in 25 mm-steps, 0500 up to 1000 mm in 50 mm-steps,
1000 up to 2000 mm in 100 mm-steps, 2000 up to 4500 mm in 250 mm-steps.
Other lengths on request.