



GUEMISA
Sta. Virgilia, 29 - 28033 Madrid - Tfno.: 91 764 21 00
Desde 1986 suministrando sensores e instrumentación
<http://www.guemisa.com> - ventas@guemisa.com



NOVOHALL
Angle Sensor
non-contacting

Series RSC2800
analog



Special features

- non-contacting, magnetic
- electrical range up to 360°
- available with push-on coupling or marked shaft
- simple mounting
- protection class IP54, IP65, IP67
- long life
- very small hysteresis
- internal resolution 12 bit
- independent linearity $\pm 0.5\%$
- single and redundant versions
- versions with digital interface see separate data sheet

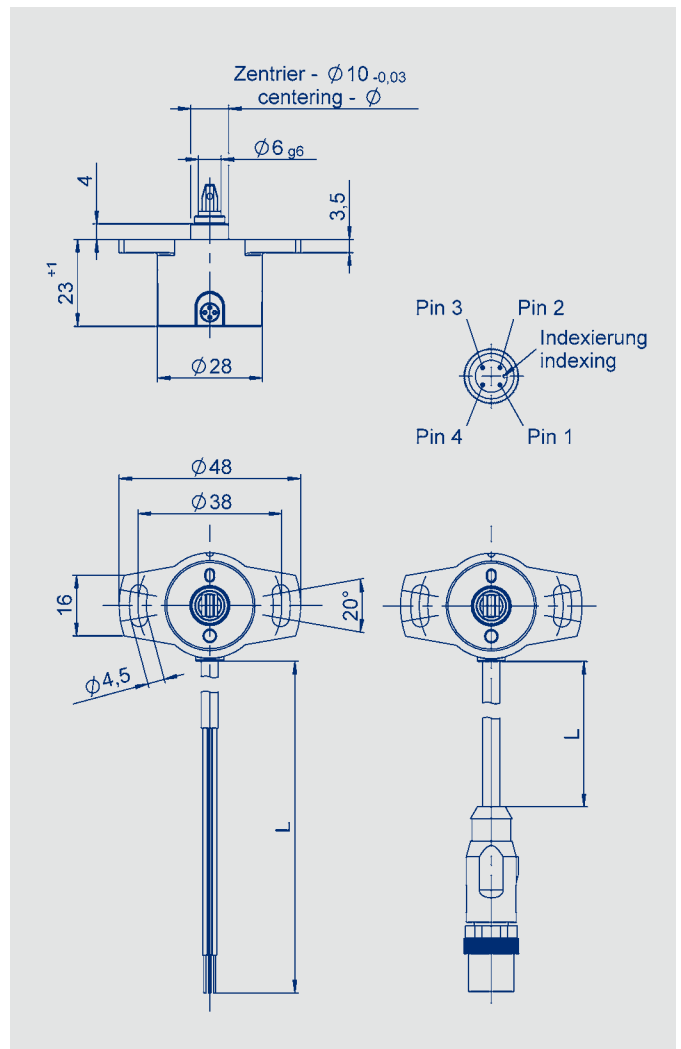
The contactless sensor utilizes the orientation of a magnetic field for the determination of the measurement angle. The magnetic field orientation is captured with an integrated circuit. An analog output signal represents the calculated angle.

The housing is made of a special high grade temperature-resistant plastic material. Elongated slots allow simplicity in mounting together with ease of mechanical adjustment.

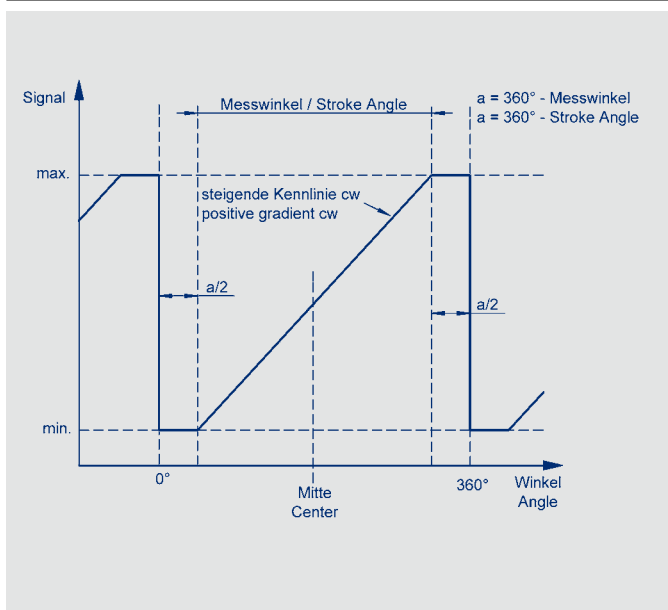
The special backlash-free push-on coupling ensures extremely quick and simple installation. The transducer is not sensitive to either dirt or humidity.

Electrical connection is made via a shielded cable which is sealed into the housing. M12 connector available as an option.

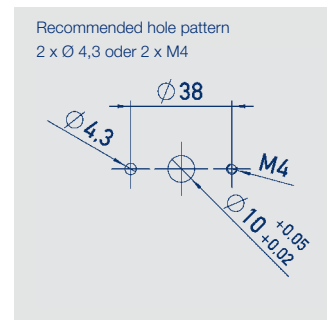
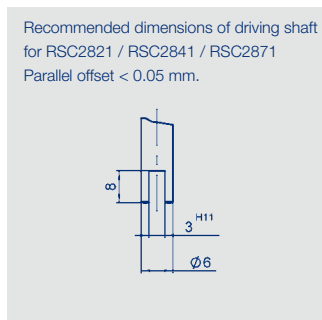
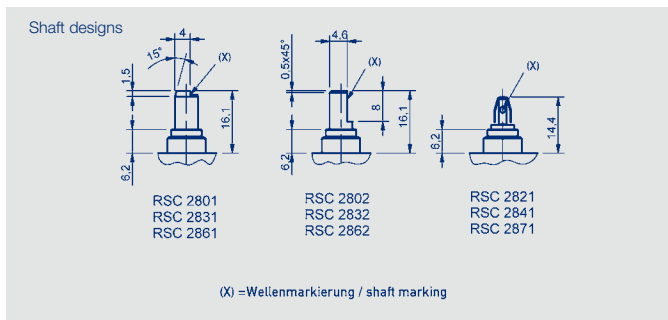
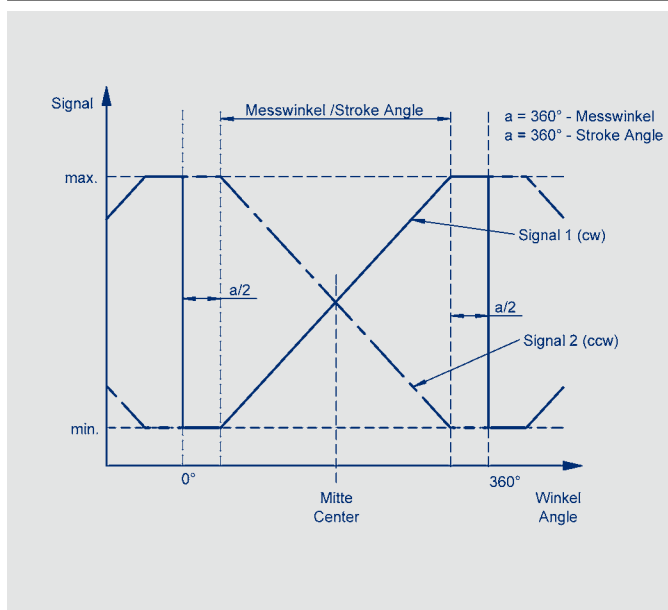
Description	
Housing	high grade, temperature resistant plastic
Shaft	stainless steel
Bearings	bronze sleeve bearing
Electrical connections	shielded cable AWG 26 (0.14 mm ²) M12 connector



Output characteristic one-channel versions



Output characteristics multi-channel versions



Connection assignment	M12 connector	Cable
GND	pin 3	brown
Supply voltage Ub	pin 1	green
Output 1	pin 2	white
Not assigned / output 2	pin 4	yellow

Cable shielding connect to GND.



When the shaft marking points to the cable outlet, the sensor is located in the electrical center position.

Type designations	RSC - 28 _ _ _ _ _ 2 _ _ _ _ _ ratiometric	RSC - 28 _ _ _ _ _ 1 _ _ _ _ _ analog voltage	RSC - 28 _ _ _ _ _ 1 2 _ _ _ _ _ analog current	
Mechanical Data				
Dimensions	see dimension drawing			
Mounting	2 screws M4 and washer			
Starting torque of mounting screws with washer at housing flange	180			Ncm
Mechanical travel	360 continuous			°
Permitted shaft loading (axial and radial) static or dynamic force	20			N
Torque	1.0 (IP67); 0.5 (IP65); 0.15 (IP54)			Ncm
Maximum operational speed	800 (120, if T > 85°)			min ⁻¹
Weight	ca. 50			g
Electrical Data				
Supply voltage Ub	5 (4.5 ... 5.5)	24 (18 ... 30)	24 (18 ... 30)	VDC
Current consumption (w/o load)	typical 15 (typ. 8 on request) per channel			mA
Reverse voltage	yes, supply lines			
Short circuit protection	yes (vs. GND and Ub)			
Measuring range	0 ... 30 up to 0 ... 360, in 10° steps			°
Number of channels	1 / 2	1	1	
Update rate	typ. 5			kHz
Resolution	12			bit
Repeatability	0,1			°
Hysteresis	< 0,1			°
Independent linearity	≤ 0,5			± % FS
Output signal	ratiometric to Ub 0.25...4.75 VDC 0.5...4.5 VDC (load >1 kΩ)	0.1...10 VDC (load >10 kΩ)	4...20 mA (burden max. 500 Ω)	
Temperature error at measuring range 30 up to 170°	0,625	0,94	0,94	± % FS
Temperature error at measuring range 180 up to 360°	0,31	0,5	0,5	± % FS
Insulation resistance (500 VDC)	≥ 10			MΩ
Cross-section cable	AWG 26, 0.14			mm²
Environmental Data				
Temperature range	-40...+85 (generally -25...+85 with M12 connector)			°C
Vibration (IEC 60068-2-6)	5...2000 Hz Amax = 0.75 mm amax = 20 g			
Shock (IEC 60068-2-27)	50 (6 ms)			g
Life	> 50x10 ⁶			movements
MTTF (DIN EN ISO 13849-1 parts count method, w/o load)	356 (single) 210 (per channel) partly redundant 388 (per channel) fully redundant	107	105	years years years
Functional Safety	When using our products in safety-related systems, please contact us			
Protection class (DIN EN 60529)	IP54 / IP65 / IP67			
EMC compatibility	EN 61000-4-2 electrostatic discharges (ESD) 4 kV, 8 kV EN 61000-4-3 electromagnetic fields 10 V/m EN 61000-4-4 electrical fast transients (burst) 1 kV EN 61000-4-6 conducted disturbances, induced by RF fields 10 V/m eff. EN 61000-4-8 power frequency magnetic fields 3 A/m EN 55011/EN 55022/A1 radiated disturbances class B			



GUEMISA

Sta. Virgilia, 29 - 28033 Madrid - Tfno.: 91 764 21 00
Desde 1986 suministrando sensores e instrumentación
<http://www.guemisa.com> - ventas@guemisa.com



Ordering specifications

Preferred types printed in bold:

- delivery time up to 25 pcs. within 10 working days
- no low volume surcharge

Operating voltage U_b

- 1: $U_b = 24\text{ V}$ (18 ... 30 V)
- 2: $U_b = 5\text{ V}$ (4.5 ... 5.5 V)

Output signal $U_b = 24\text{ V}$

- 1: 0.1 ... 10 V
- 2: 4 ... 20 mA

Output signal $U_b = 5\text{ V}$

- 1: 0.25 ... 4.75 V ratiometric to U_b
- 2: 0.5 ... 4.5 V ratiometric to U_b

Output characteristics

- 1: rising CW
 - 2: rising CCW
 - 3: crossed output channel 1 rising / channel 2 falling CW (only $U_b = 5\text{ V}$)
- Other characteristics on request

Electrical connection

- 201: round cable 4-pol., 0.5 m shielded
 - 202: round cable 4-pol., 1 m shielded
 - 206: round cable 4-pol., 3 m shielded
 - 210: round cable 4-pol., 5 m shielded
 - 220: round cable 4-pol., 10 m shielded
 - 501: connector M12 with round cable, L = 0.15 m, shielded version
- Cable versions and assembled connectors on request

R S C - 2 8 3 2 - 6 3 6 - 2 1 1 - 2 0 2

Series

Measuring range

- 03: angle 0° ... 30° min.
 - ...
 - 06, 12, 18, 24, 36
 - ...
 - 36: angle 0° ... 360° max.
- Other angles on request

Numbers of channels

- 6: one-channel
- 7: redundant (two-channel) only $U_b = 5\text{ V}$

Mechanical version

- 2801: 6 mm shaft with marking, IP54
 - 2831: 6 mm, shaft with marking, IP65
 - 2861: 6 mm shaft with marking, IP67
 - 2802: 6 mm shaft with flattening, IP54
 - 2832: 6 mm shaft with flattening, IP65**
 - 2862: 6 mm shaft with flattening, IP67
 - 2821: push-on coupling, IP54
 - 2841: push-on coupling, IP65**
 - 2871: push-on coupling, IP67
- Other shaft designs on request

Recommended accessories

Process-controlled indicators
MAP300/400/4000 with
display.