



GUEMISA (Electrónica Guerra y Miró Guemisa S.L.)
 Sta. Virgilia, 29 - local - 28033 Madrid (Spain)
 Tlfno.: (034) 91 764 21 00 Fax.: (034) 91 764 21 32
 Email.: ventas@guemisa.com Web.: www.guemisa.com

**Industrial-Grade
 Potentiometers**

Series IPS6000

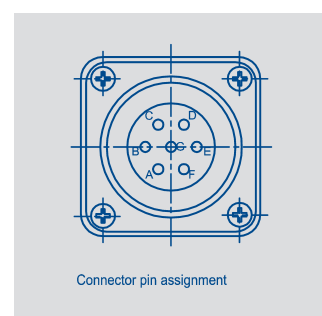
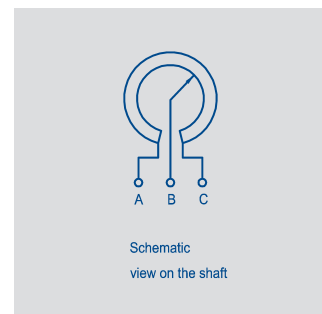
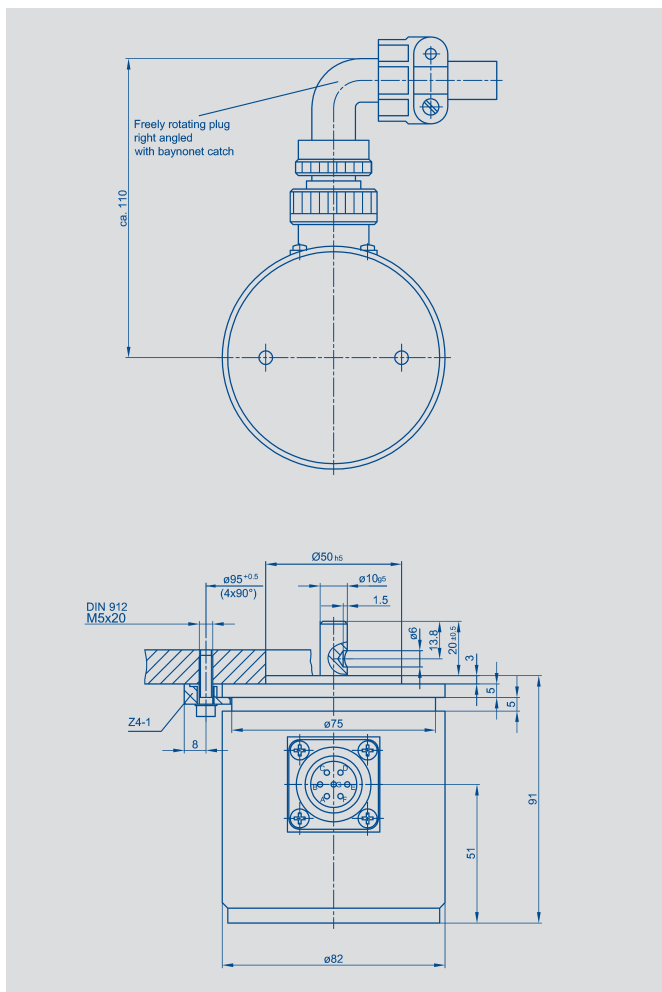


Special features

- excellent linearity standard $\pm 0.1\%$
- long life
 100×10^6 movements typ.
- mechanical continuous rotation
- extremely robust industrial-grade construction
- protection class IP 67

Using this potentiometer a maximum angular rotation of 355° can be converted into a voltage proportional to the angle of rotation, through the medium of a conductive plastic potentiometer.

This special „heavy-duty“ version of our industrial potentiometers can be used successfully in the most demanding applications or environmental conditions. Simply yet robustly built, these units are suitable for use in all manner of industrial applications and machinery manufacturing. The cast housing is watertight; sealing is achieved through the use of a stepped bush whilst electrical connections are made via a plug and socket mounted on the side of the unit.
 Special versions with different electrical travels and shaft dimensions are available.



Description	
Case	aluminium varnished, entry sealed using special stepped bush
Shaft	stainless steel
Bearings	stainless steel ball bearings
Resistance element	conductive plastic
Wiper assembly	precious metal multi-finger wiper
Mounting	any optional position
Electrical connections	7 pin all-metal plug and socket, freely rotatable, 90° right-angled, protection class IP67, bayonet catch

Mechanical Data		
Dimensions	see drawing	
Mounting	with 4 clamps Z 4-1	
Mechanical travel	360, continuous	°
Permitted shaft loading (axial and radial) static or dynamic force	300	N
Starting torque	<10	Ncm
Maximum operational speed	2 000	min ⁻¹
Weight	approx. 1200	g
Electrical Data		
Actual electrical travel	355 ±2	°
Nominal resistance	5	kΩ
Resistance tolerance	±20	%
Independent linearity	±0.1 (0.05 on request)	%
Repeatability	0.002 (Δ 0.007°)	%
Effective temperature coefficient of the output-to-applied voltage ratio	typical 5	ppm/K
Max. permissible applied voltage	42	V
Max. wiper current in case of malfunction	10	mA
Recommended operating wiper current	≤ 1	μA
Insulation resistance (500 VDC, 1 bar, 2 s)	≥ 10	MΩ
Dielectric strength (50 Hz, 2 s, 1 bar, 500 VAC)	≤ 100	μA

Environmental Data		
Temperature range	-40...+100	°C
Vibration	5...2000 A _{max} = 0.75 a _{max} = 20	Hz mm g
Shock	50 11	g ms
Life	100 x 10 ⁶	movem.
Protection class	IP 67 (DIN 400 50 / IEC 529)	

Order designations		
Type	Art.no.	
IPS6501 A502	010061	
Additional models available		
IPS6501 G252	010066	✂ 90° ± 2° indep. lin. ± 0.3%, R= 2.5 kΩ ± 20%
IPS6501 W302	001067	✂ 60° ± 2° indep. lin. ± 0.5%, R= 3.0 kΩ + 30/- 10%

Included in delivery

4 mounting clamps Z4-1,
1 corner plug Cannon
No. CA 08 COM-E-16S-1S-B,
1 anti-kink sleeve

Recommended accessories

Spring loaded coupling,
Z 110 G10 (backlash-free),
Process-controlled indicators
MAP... with display,
Signal conditioner MUP.../
MUK ... for standardized out-
put signals

Important

All the values given in this
data sheet for linearity, lifetime
and temperature coefficient in
the voltage dividing mode are
quoted for the device opera-
ting with the wiper voltage dri-
ving on operational amplifier
working as a voltage follower,
where virtually no load is app-
plied to the wiper ($I_e \leq 1 \mu\text{A}$).