

REF. NO: MPCL 95 CAT. PG68

**GENERAL:**

MODEL CPP-60 IS A CONDUCTIVE PLASTIC POTENTIOMETER THAT FEATURES THE HIGHEST ACCURACY IN ALL OF MIDORI "GREEN POT" LINES. THE UNIT IS SUITABLE FOR APPLICATIONS REQUIRING ULTRA HIGH PERFORMANCE IN ACCURACY AND RELIABILITY.

**ELECTRICAL SPECIFICATIONS:**

ELECTRICAL ANGLE: 355°  
 TOTAL RESISTANCE: 1k, 2k, 5k, 10k and 20k OHMS  
 TOTAL RESISTANCE TOLERANCE: ± 15%  
 LINEARITY (INDEPENDENT): ±0.05% ( ±0.02% AVAILABLE)  
 REPEATABILITY: ± 0.003%  
 POWER RATING: 4 WATTS @70°C  
 INSULATION RESISTANCE : 100 meg OHMS MIN. @ 1,000 Vdc  
 DIELECTRIC STRENGTH: 1,000 Vrms @50/60 Hz for 1 MINUTE

**MECHANICAL SPECIFICATIONS:**

MECHANICAL ANGLE: 360°  
 TORQUE: 24 g-cm ( 0.33 in-oz ) MAX.  
 WEIGHT: 170 g ( 6 oz ) NOM.  
 LIFE: 10 MILLION CYCLES MIN.  
 GANGING: 2 MAX.

**ENVIRONMENTAL SPECIFICATIONS:**

OPERATING TEMPERATURE: -40°C to +120°C  
 VIBRATIONS: 15 Gs, 2,000 Hz  
 SHOCK: 50Gs, 11 mS



Sta. Virgilia 29 Local.1A 28033 Madrid  
 Tfno.: 91 764 21 00 Fax.: 91 764 21 32  
 www.guemisa.com Email.:info@guemisa.com

UNLESS OTHERWISE SPECIFIED, DIMENSIONS ARE IN mm(in).  
 TOLERANCES:  
 ANGLES ±1.5°  
 <10 mm: ±0.25  
 <100 mm: ±0.5  
 >100 mm: ±1

C.O.N		SYM	DESCRIPTION	DATE	DRAWN	APPR'D
-------	--	-----	-------------	------	-------	--------

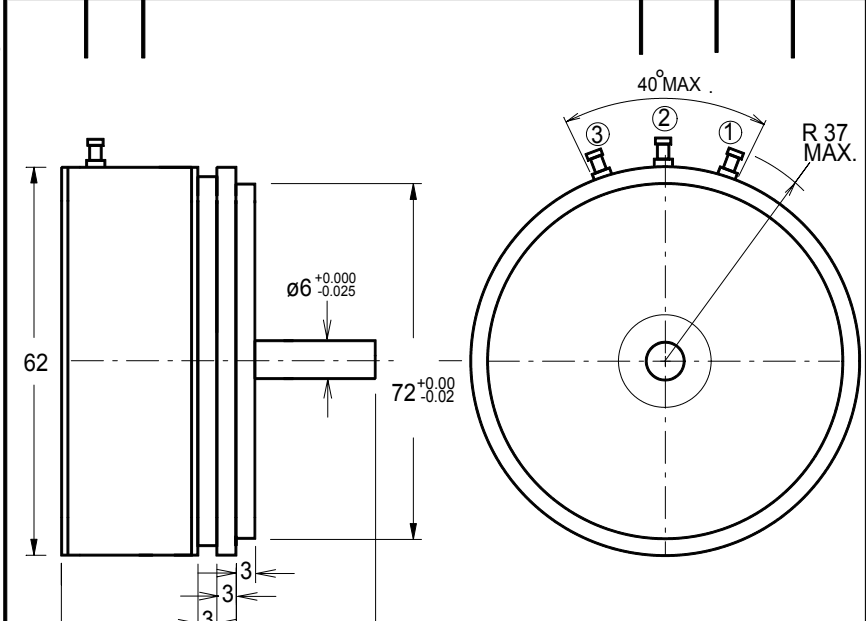


FIGURE 1 OUTLINE DIMENSION

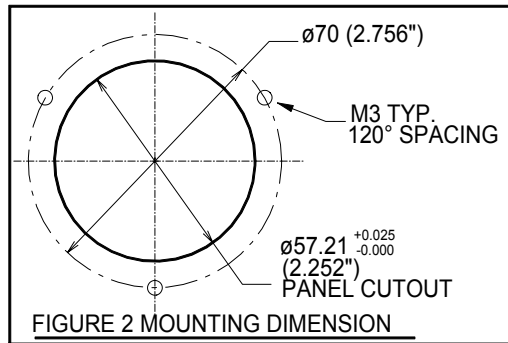


FIGURE 2 MOUNTING DIMENSION

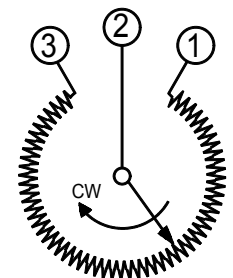


FIGURE 3 WIRING DIAGRAM

<table border="1"> <tr> <td>DRAWN</td> <td>T. TSUGAWA</td> <td>DATE</td> <td>01/05/97</td> </tr> <tr> <td>CHECKED</td> <td></td> <td>DATE</td> <td></td> </tr> <tr> <td>APPROVED</td> <td></td> <td>DATE</td> <td></td> </tr> <tr> <td>APPROVED</td> <td></td> <td>DATE</td> <td></td> </tr> </table>	DRAWN	T. TSUGAWA	DATE	01/05/97	CHECKED		DATE		APPROVED		DATE		APPROVED		DATE		<p>SCALE:</p>	<p>FILE: CPP-60</p>	<p>SPECIFICATION DWG FOR MODEL CPP - 60 POTENTIOMETER</p>	<p>A-MAC-B96</p>	<p>1 OF 1</p>
DRAWN	T. TSUGAWA	DATE	01/05/97																		
CHECKED		DATE																			
APPROVED		DATE																			
APPROVED		DATE																			